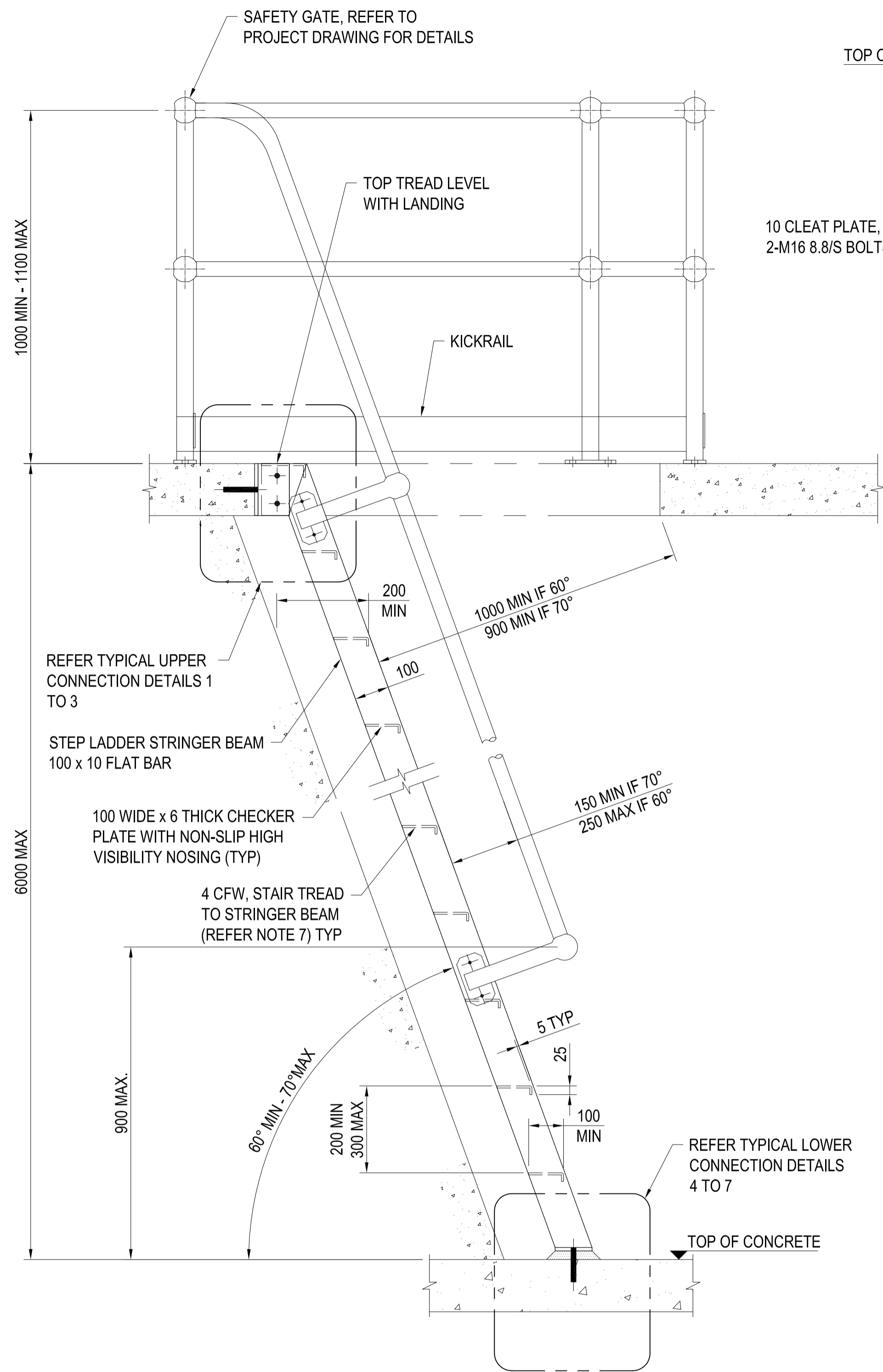


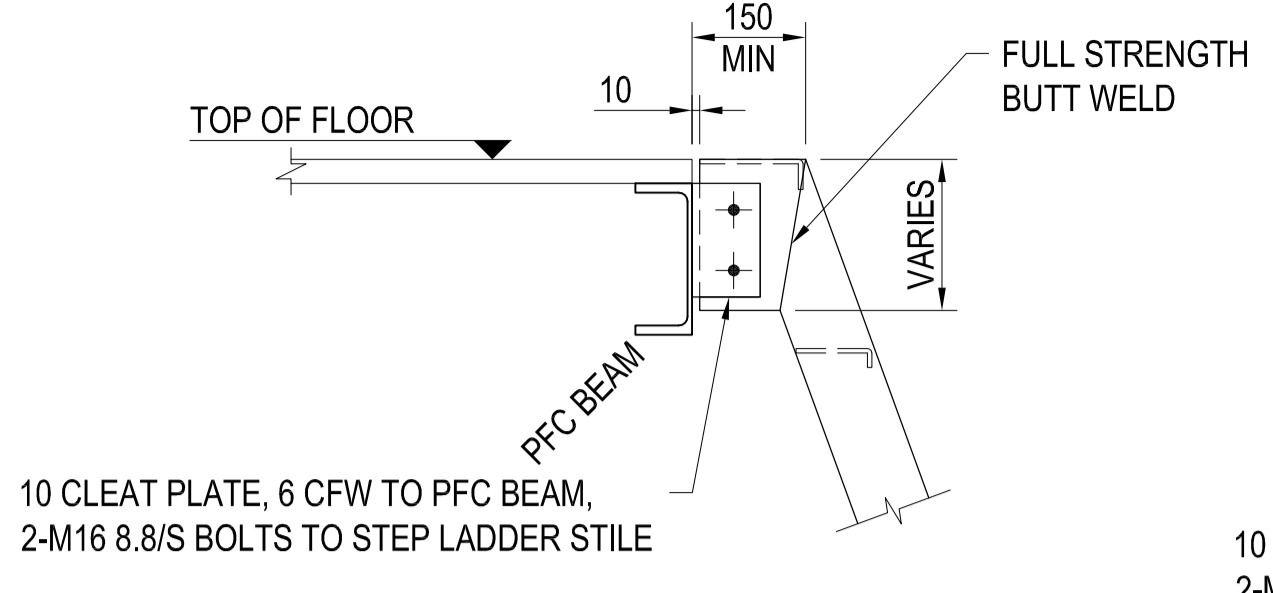
DO NOT SCALE



STEP - TYPE LADDER WITH HANDRAIL
SCALE 1:10

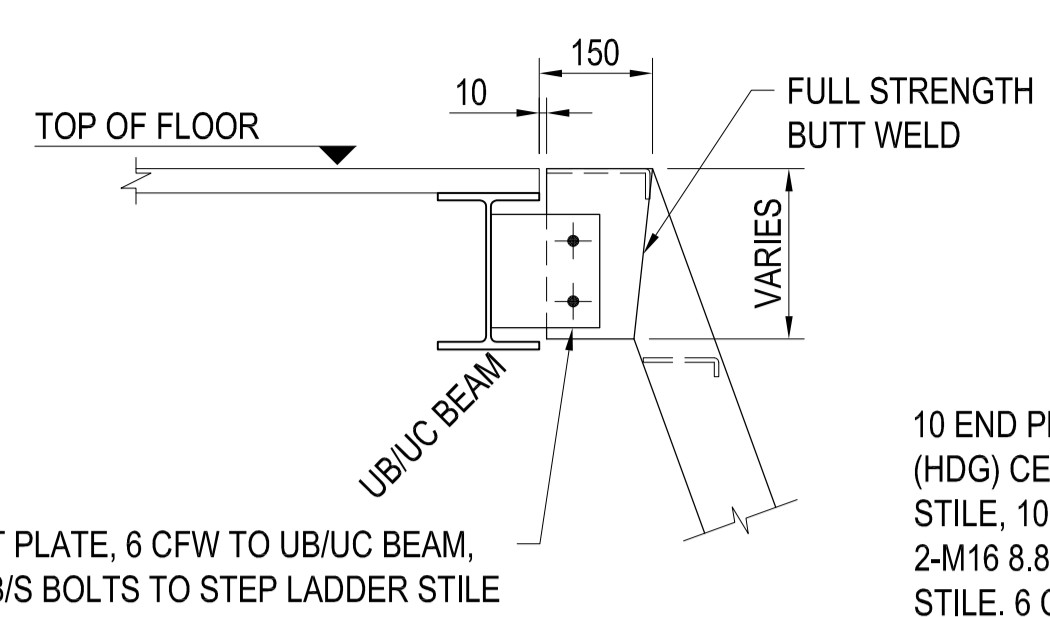
NOTES

1. THE MINIMUM CLEAR WIDTH BETWEEN STILES SHALL BE 450mm.
2. THE CLEAR SPACE BETWEEN HANDRAILS SHALL BE 550mm MIN. TO 750mm MAX.
3. THE MINIMUM HAND CLEARANCE AROUND EACH HANDRAIL SHALL BE 50mm.
4. THE MAXIMUM VERTICAL DISTANCE BETWEEN LANDINGS SHALL BE 6000mm.
5. WHERE A PERSON COULD FALL MORE THAN 6000mm, THE LADDER SHALL BE FULLY ENCLOSED, IN ACCORDANCE WITH AS 1657.
6. STEP LADDER TO COMPLY WITH AS 1657. EACH SITE AND FIXING POINTS ARE TO BE ASSESSED BY A STRUCTURAL ENGINEER DURING SHOP DRAWING REVIEW.
7. STAIR TREAD TO BE EITHER 4 CFW TO FLAT BAR STILE, OR A BOLTED CONNECTION AS PER STAIR TREAD MANUFACTURERS SPECIFICATIONS.
8. CONTRACTOR TO SUBMIT SHOP DRAWINGS FOR REVIEW PRIOR TO FABRICATION.
9. UP TO MAXIMUM 7° CROSS SLOPE ACROSS BASE OF STEP-TYPE LADDER ACCEPTABLE.
10. STEP LADDER TO COMPLY WITH AS 1657.



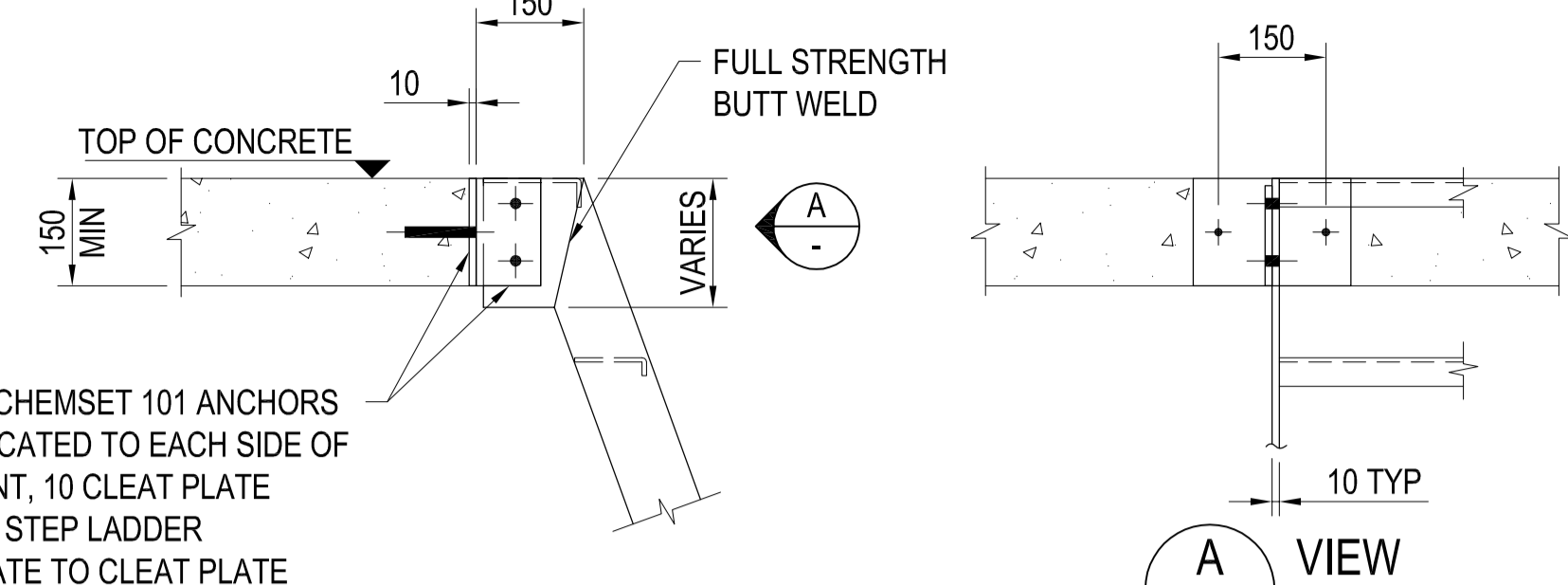
100 x 10 FLAT BAR STILE UPPER CONNECTION TO STEEL PFC BEAM

1 DETAIL
SCALE 1:10



100 x 10 FLAT BAR STILE UPPER CONNECTION TO STEEL BEAM

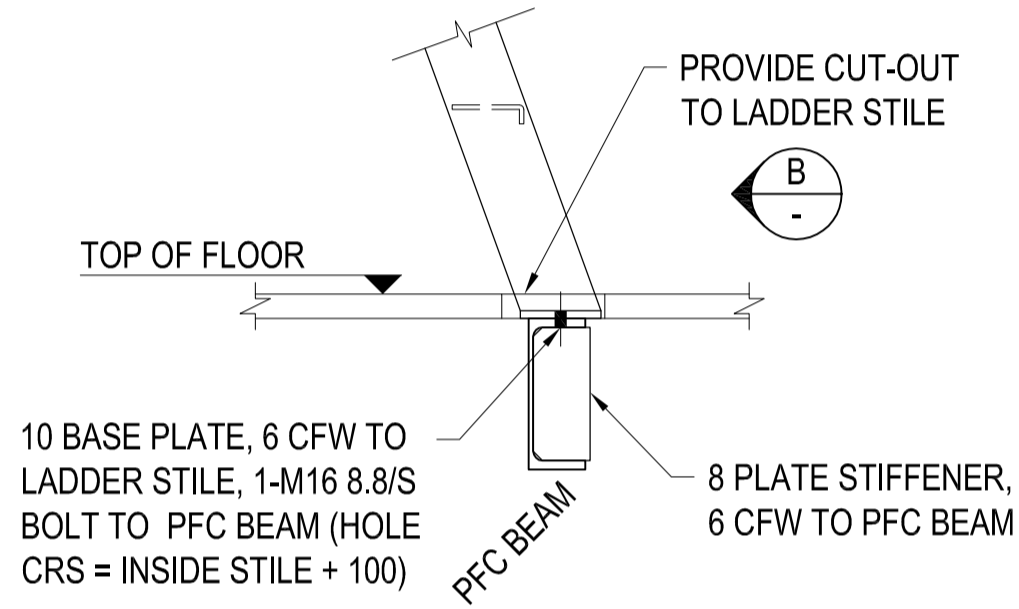
2 DETAIL
SCALE 1:10



100 x 10 FLAT BAR STILE UPPER CONNECTION TO CONCRETE SLAB

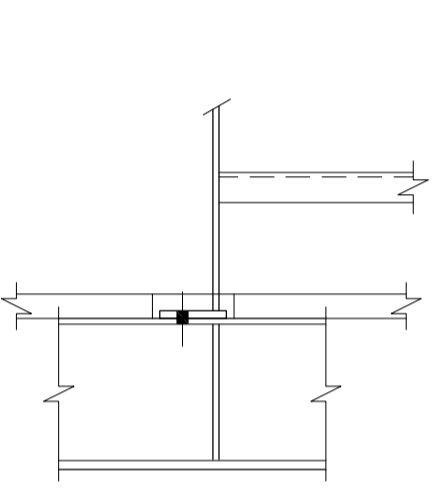
3 DETAIL
SCALE 1:10

A VIEW
SCALE 1:10



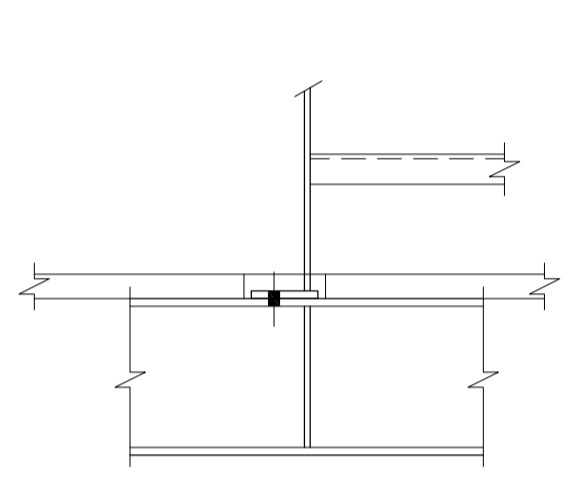
100 x 10 FLAT BAR STILE LOWER CONNECTION TO STEEL PFC BEAM

4 DETAIL
SCALE 1:10



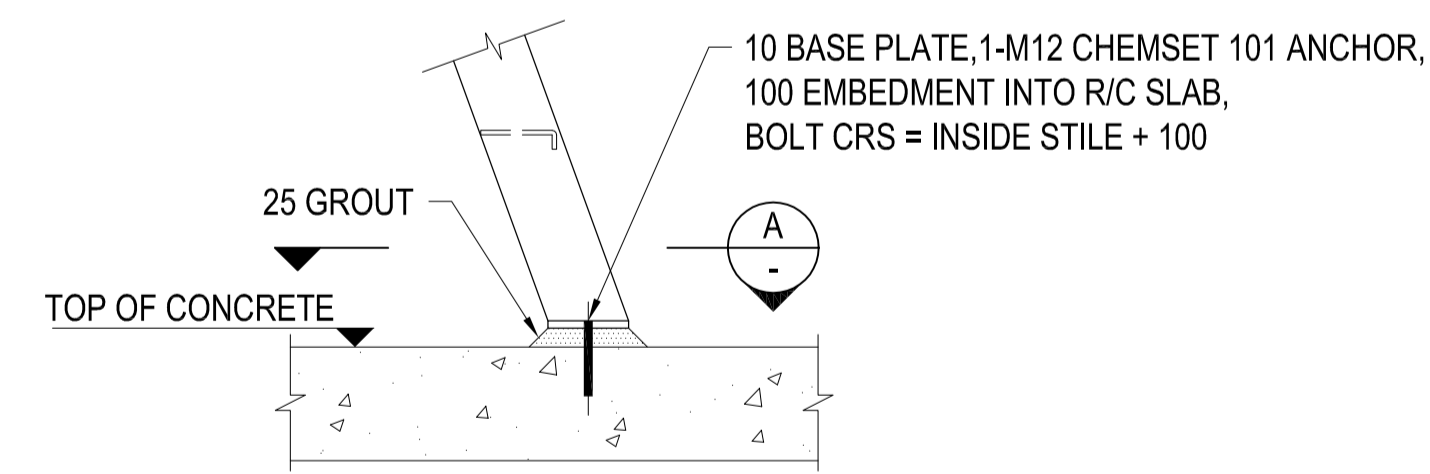
100 x 10 FLAT BAR STILE LOWER CONNECTION TO STEEL BEAM

5 DETAIL
SCALE 1:10



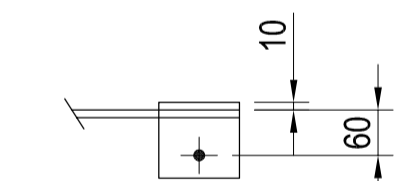
100 x 10 FLAT BAR LOWER CONNECTION TO GRATING / FLOORING PLATE

6 DETAIL
SCALE 1:10



100 x 10 FLAT BAR LOWER CONNECTION TO CONCRETE SLAB

7 DETAIL
SCALE 1:10

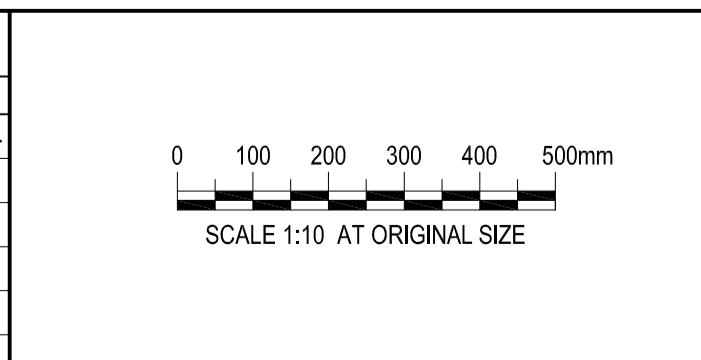


A SECTION
SCALE 1:10

STANDARD DRAWING

REFERENCES	
DRAWING	TITLE

REVISIONS							
No.	REVISION DESCRIPTION	OPS	OPS DATE	DRAWN	CHECKED	APPROVED	DATE
0	ISSUED FOR USE (FROM BWA-SD-S024)	-	-	-	-	PT*	11.09.14



DRG No. BW-SD-S024
DRAWING DISCIPLINE: GENERAL
SHEET NO. 1 of 1

BARWON WATER - STANDARD DRAWING STEP LADDER - FLAT BAR STILE TYPE ELEVATION AND TYPICAL DETAILS				F.C.	FILE No.
DRAWN A. PRIMUS JUNE '12	DESIGNED S. FOX JUNE '12	APPROVED P. THOMAS* 11.09.14	SCALES: PLAN AS SHOWN SECTION AS SHOWN HORIZ. AS SHOWN VERT. AS SHOWN Scale for A1 sheet	A1	