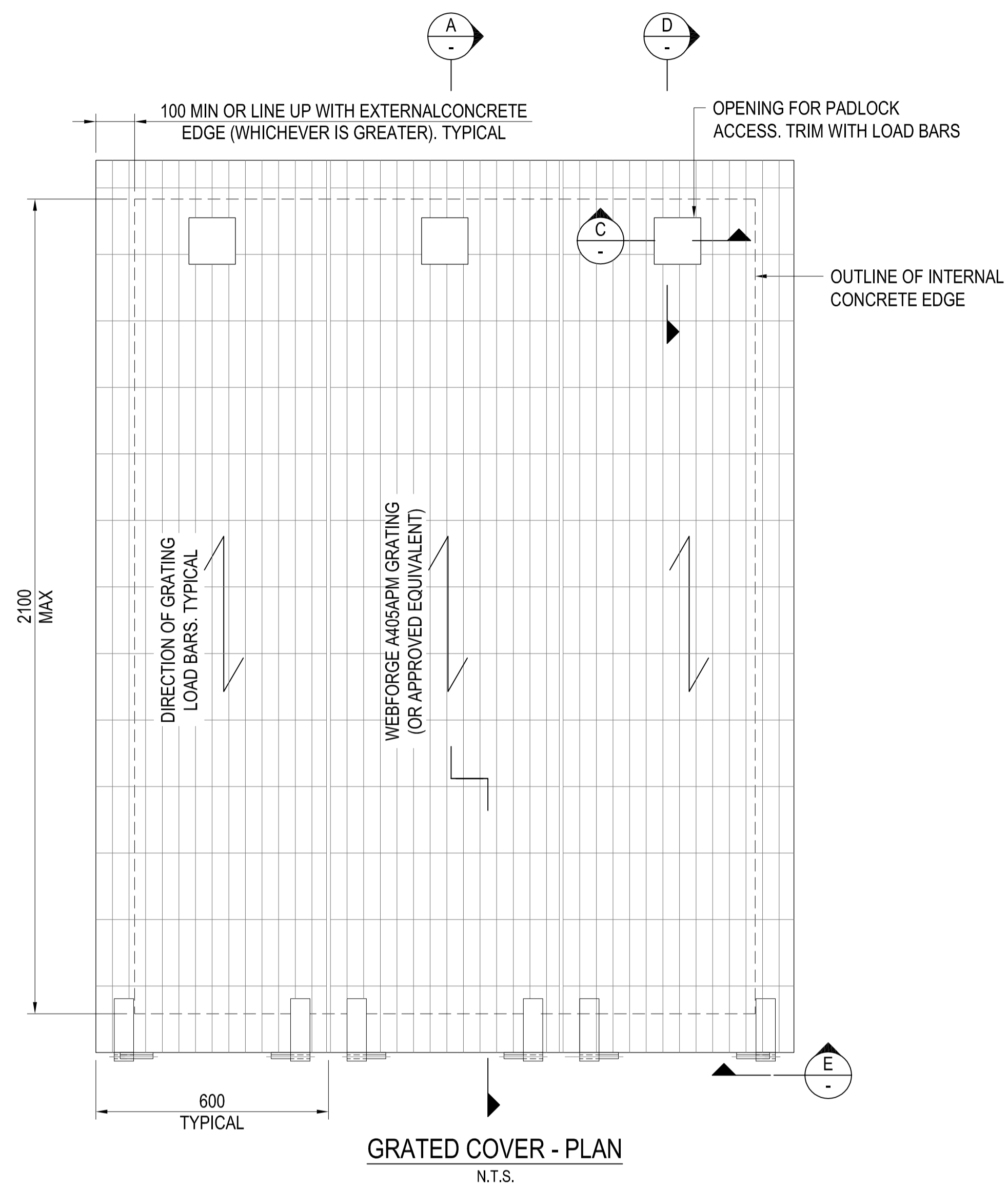
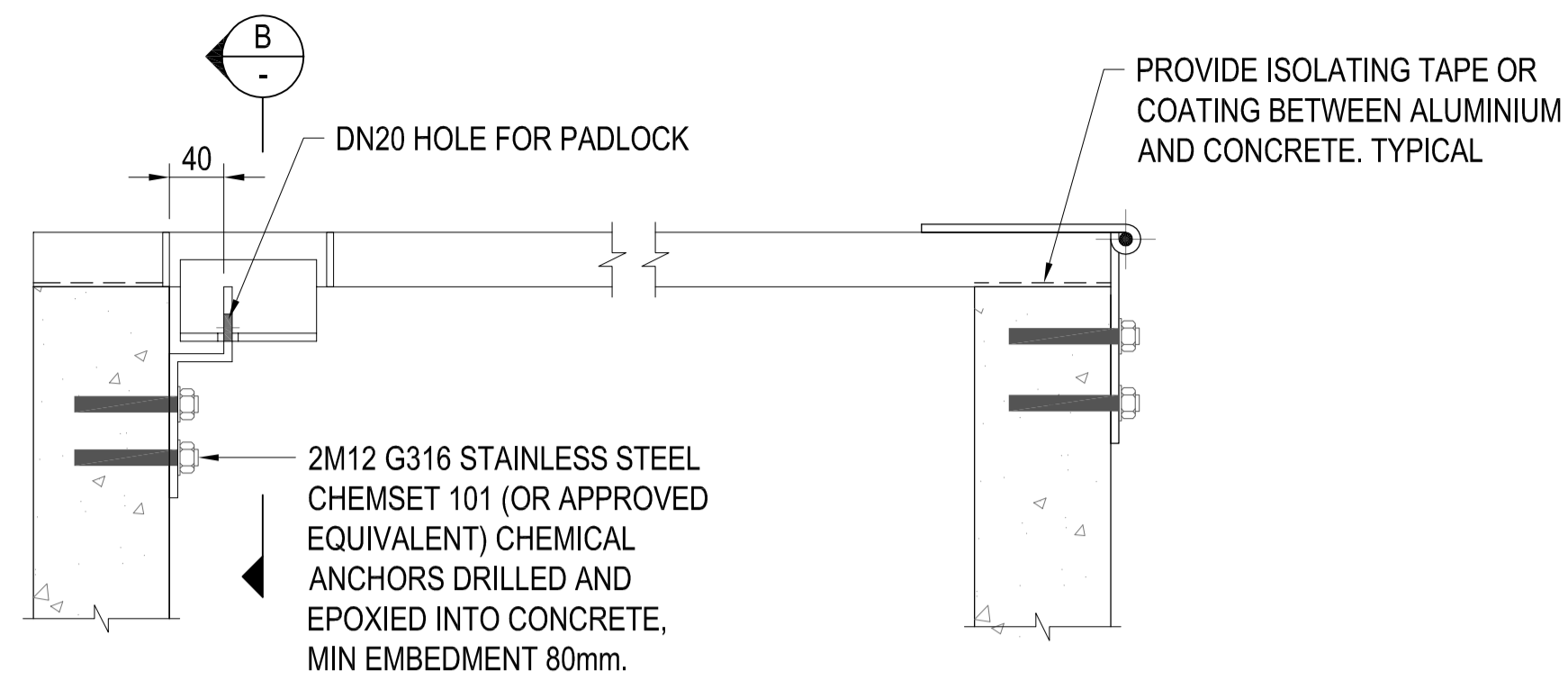


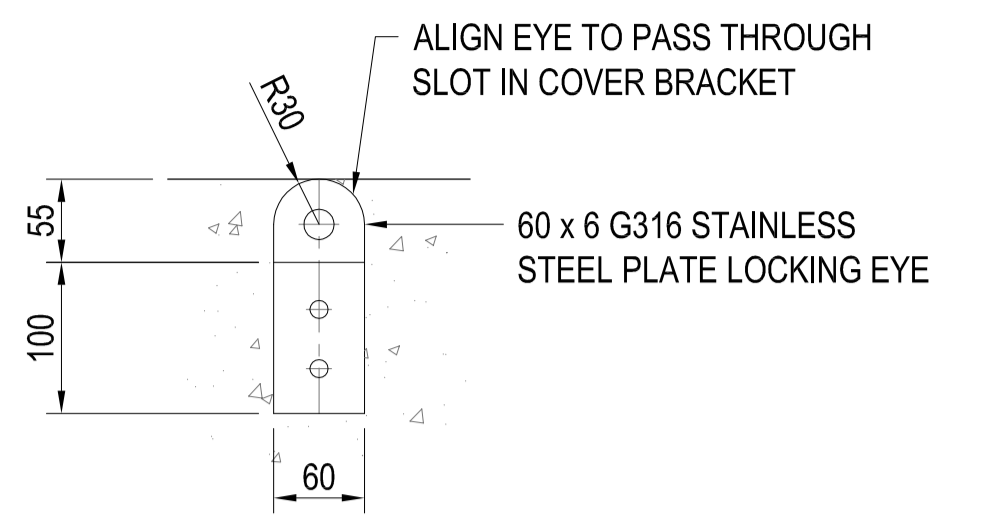
DO NOT SCALE



GRADED COVER - PLAN  
N.T.S.

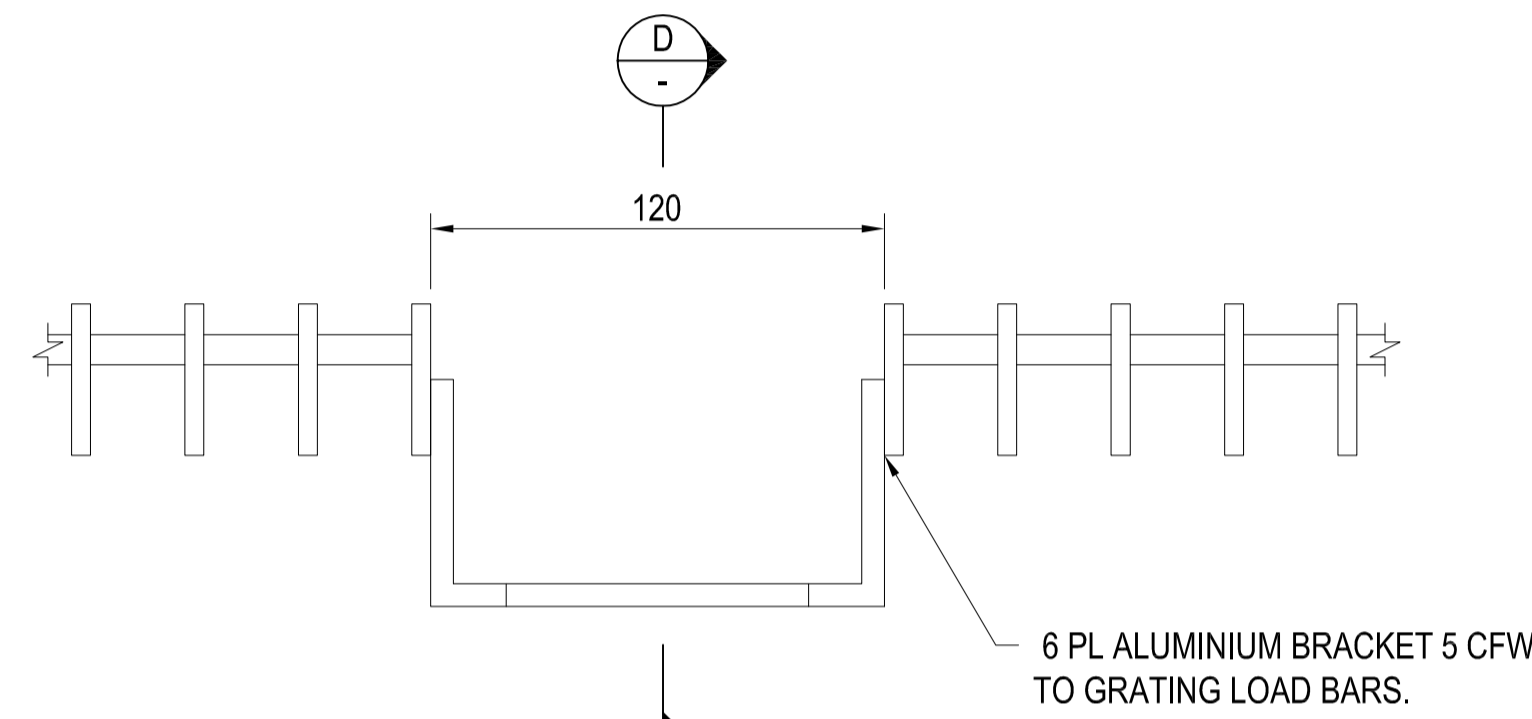


A SECTION  
SCALE 1 : 5

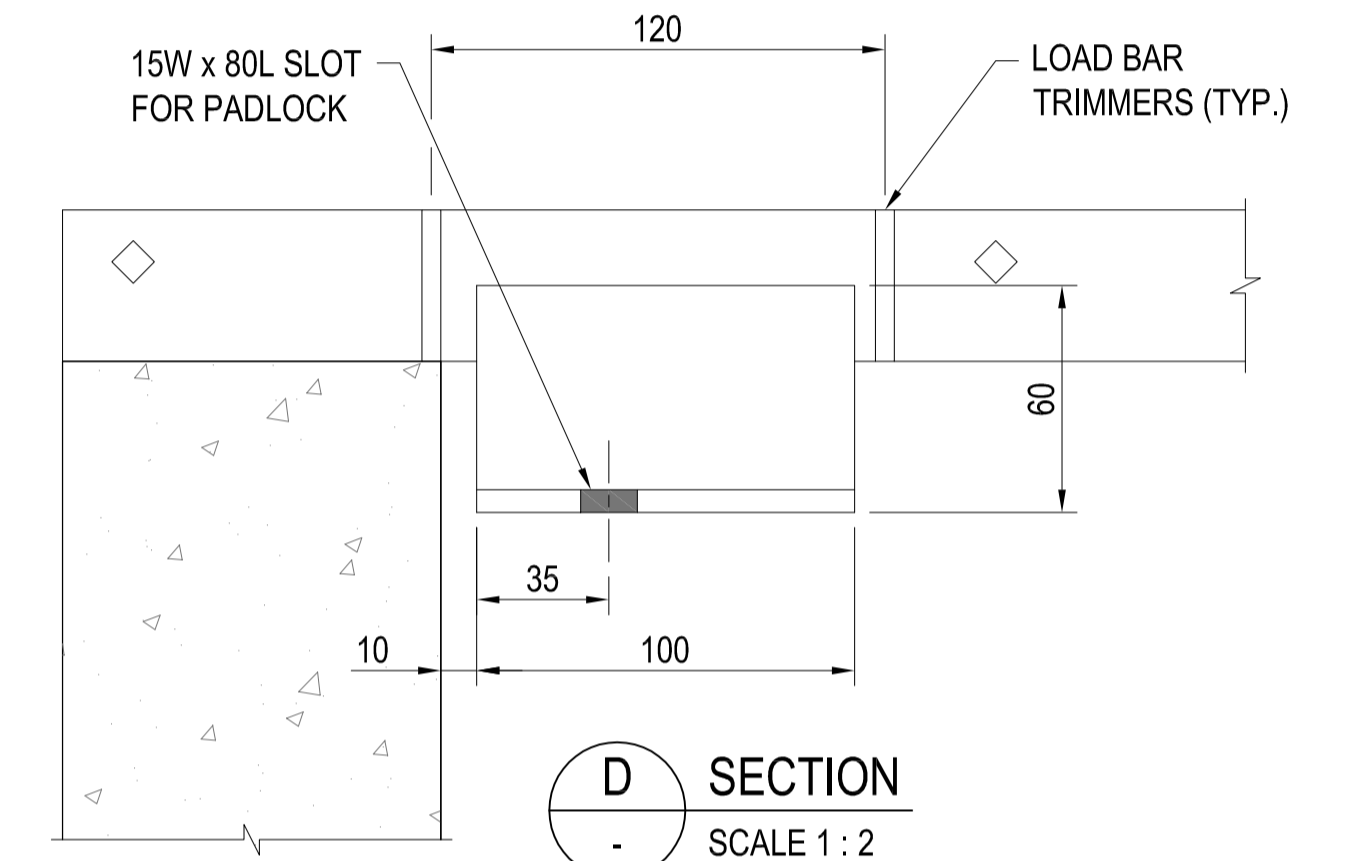


GRADED COVER - PLAN  
1 PER COVER PART

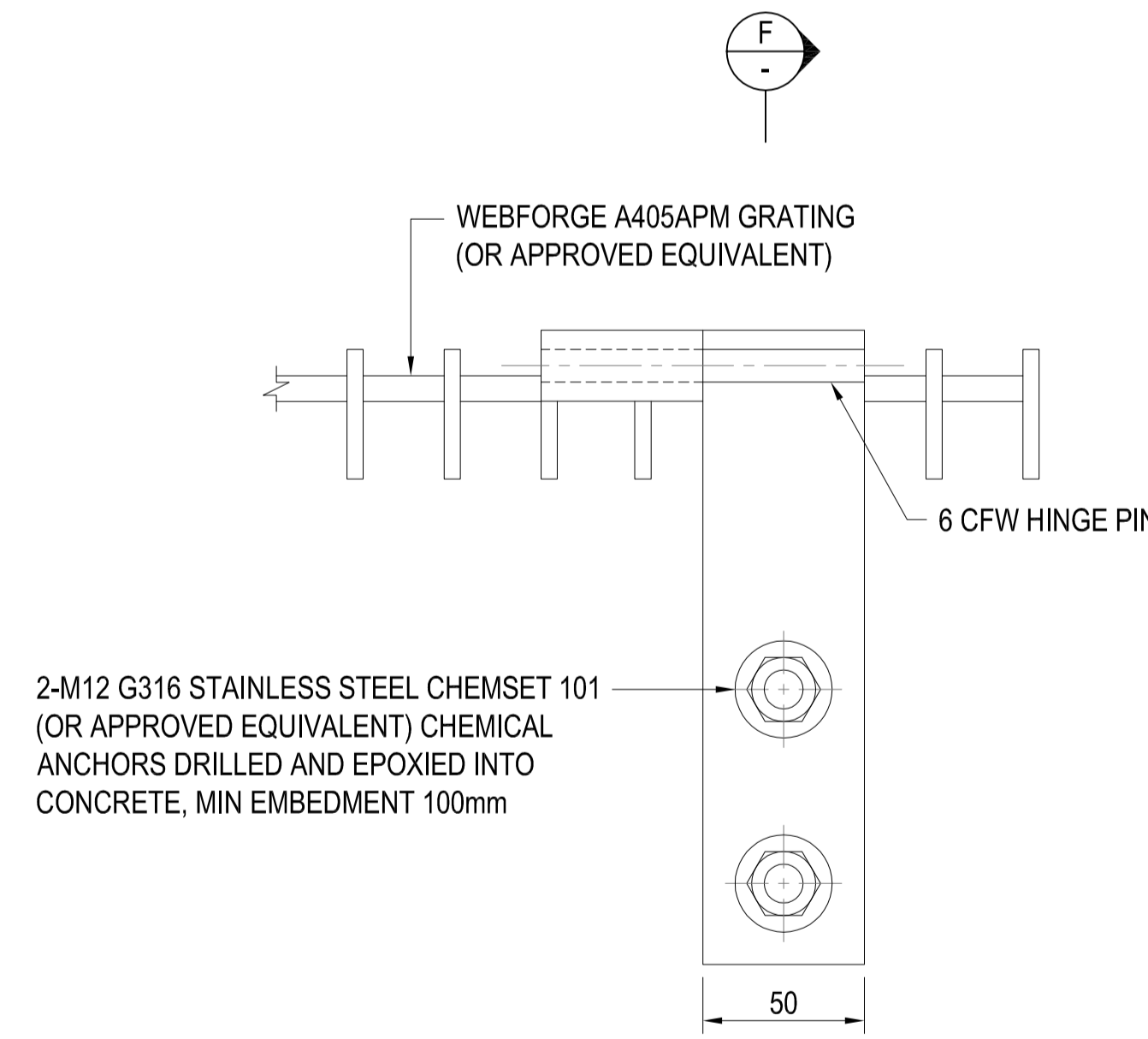
B SECTION  
SCALE 1 : 5



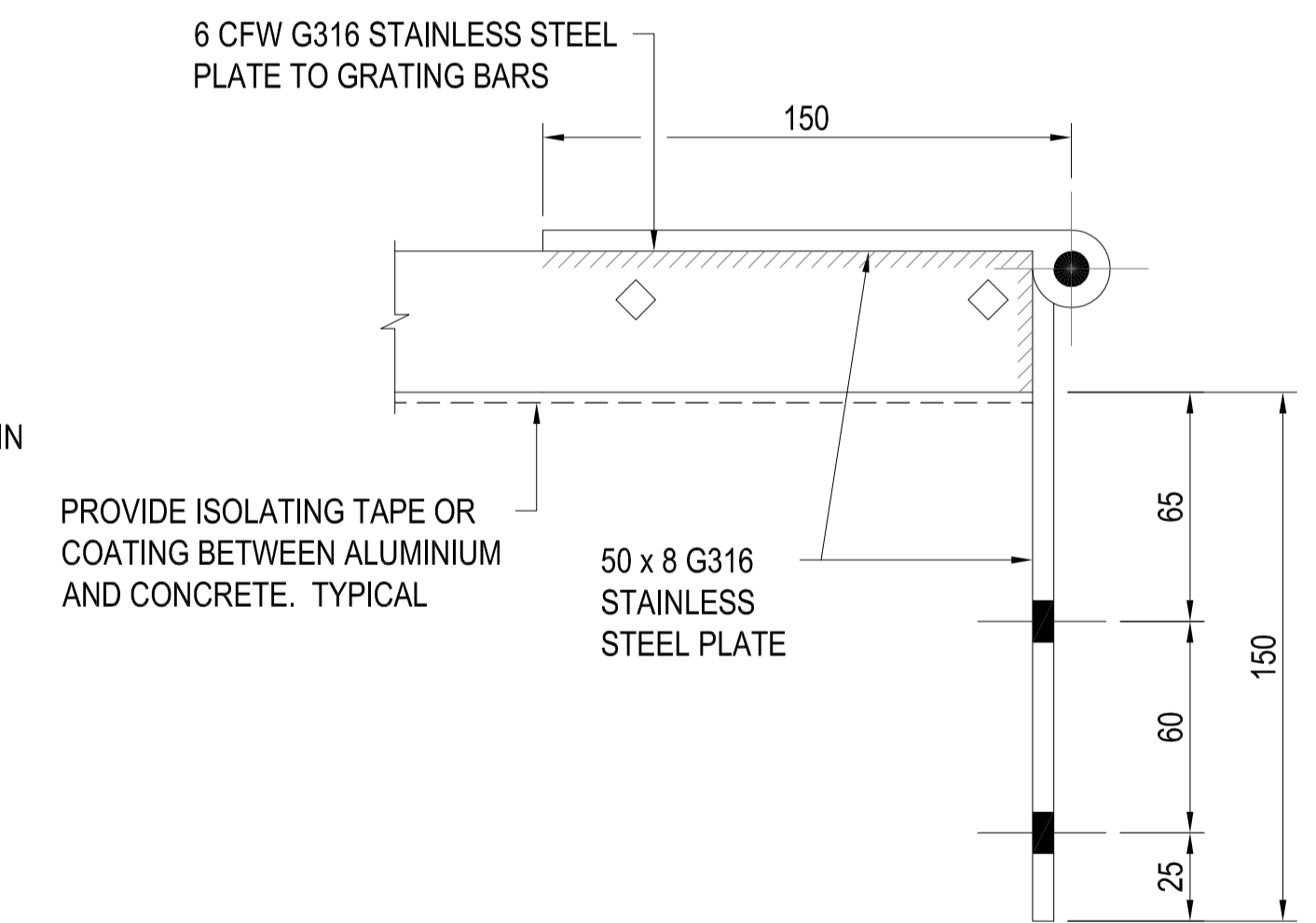
C SECTION  
SCALE 1 : 2



D SECTION  
SCALE 1 : 2



E SECTION  
SCALE 1 : 2

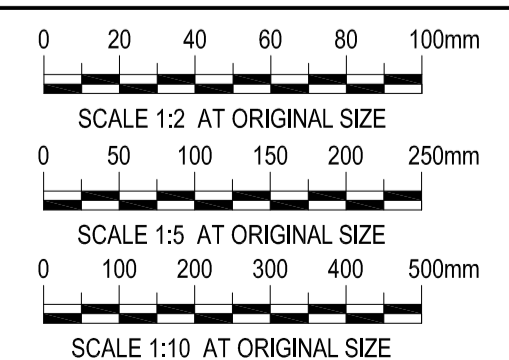


F SECTION  
SCALE 1 : 2

STANDARD DRAWING

REFERENCES	
DRAWING	TITLE

REVISIONS							
No.	REVISION DESCRIPTION	OPS	OPS DATE	DRAWN	CHECKED	APPROVED PT*	DATE
0	ISSUED FOR USE (FROM BWA-SD-C017)						11.09.14



DRG No. BW-SD-C017 DRAWING DISCIPLINE: CIVIL SHEET NO. 1 of 1

BARWON WATER - STANDARD DRAWING PIT COVER HINGED GRID MESH (ALUMINIUM)				F.C.	FILE No.
DRAWN R.MARRIOTT 12.03.10	DESIGNED G.BERRYMAN 12.03.10	APPROVED P.THOMAS* 11.09.14	SCALES: PLAN SECTION HORIZ. VERT. Scale for A1 sheet	1:10	A1
DRAFTING CHECK L.BERON*	DESIGN CHECK D.WEARNE*	30.11.10	30.11.10		