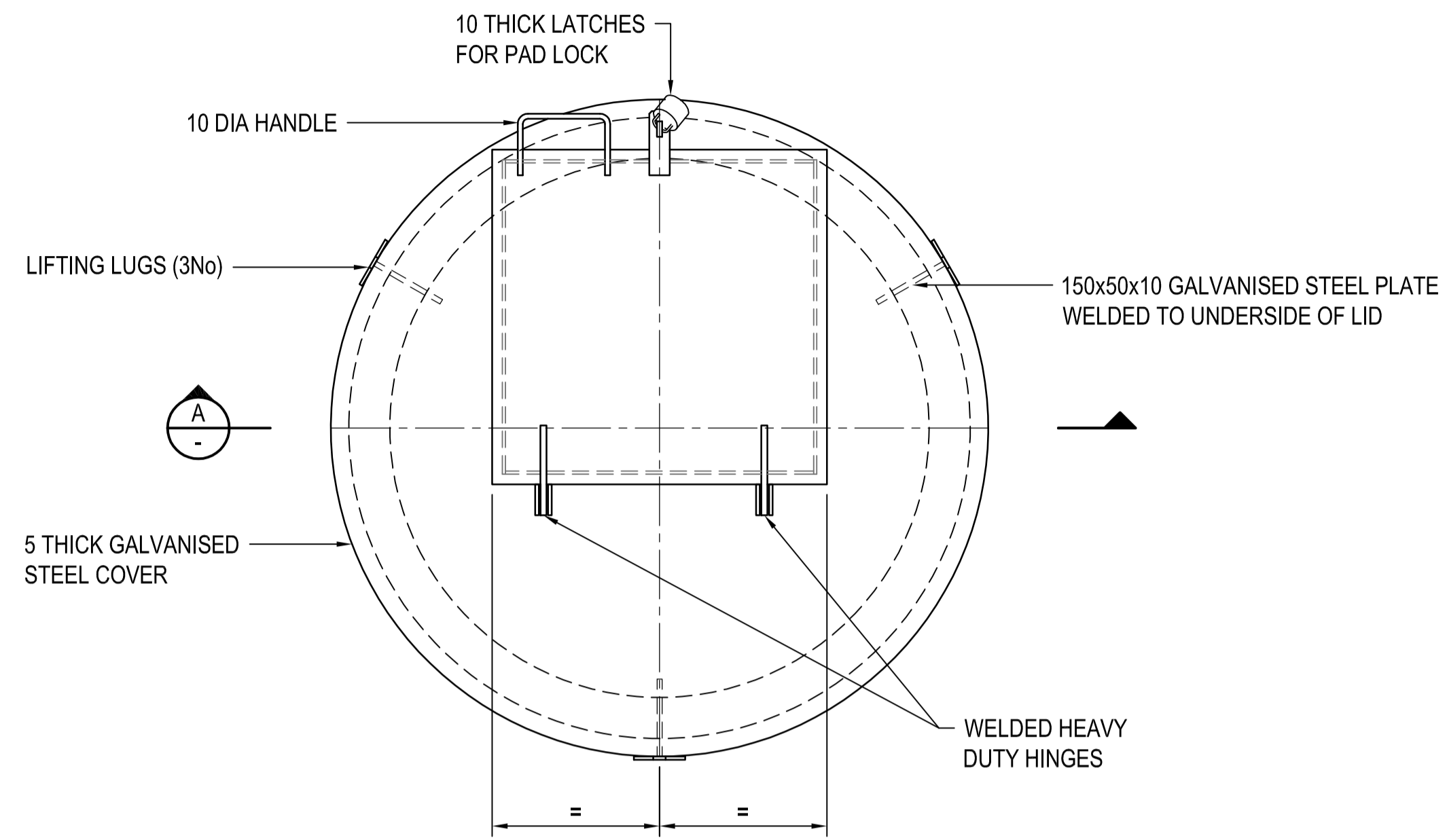
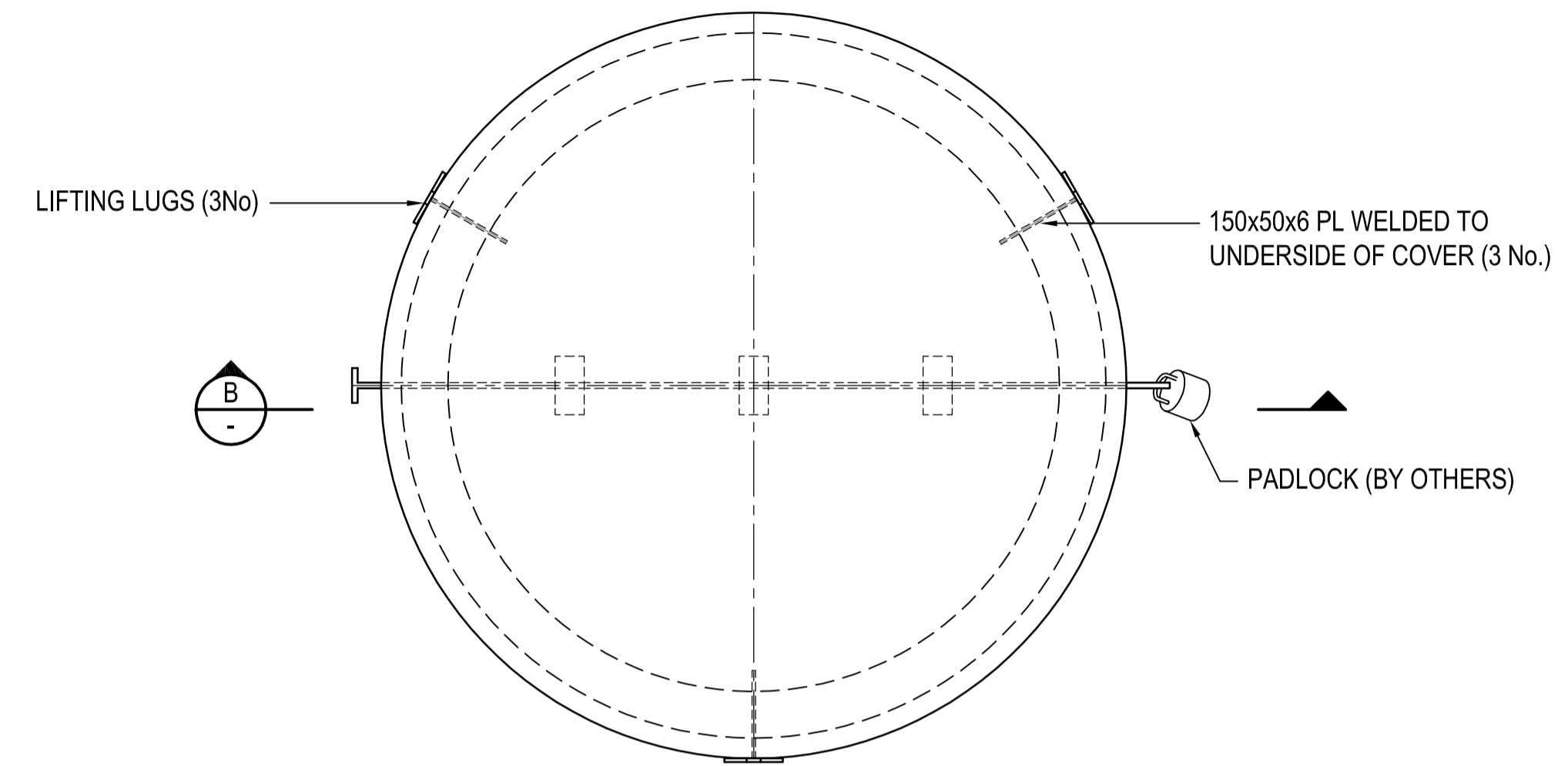


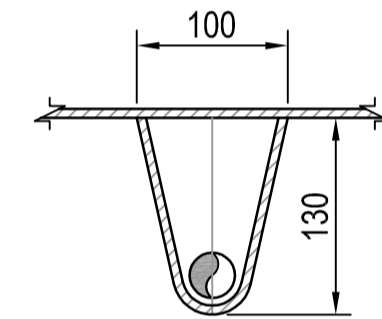
DO NOT SCALE



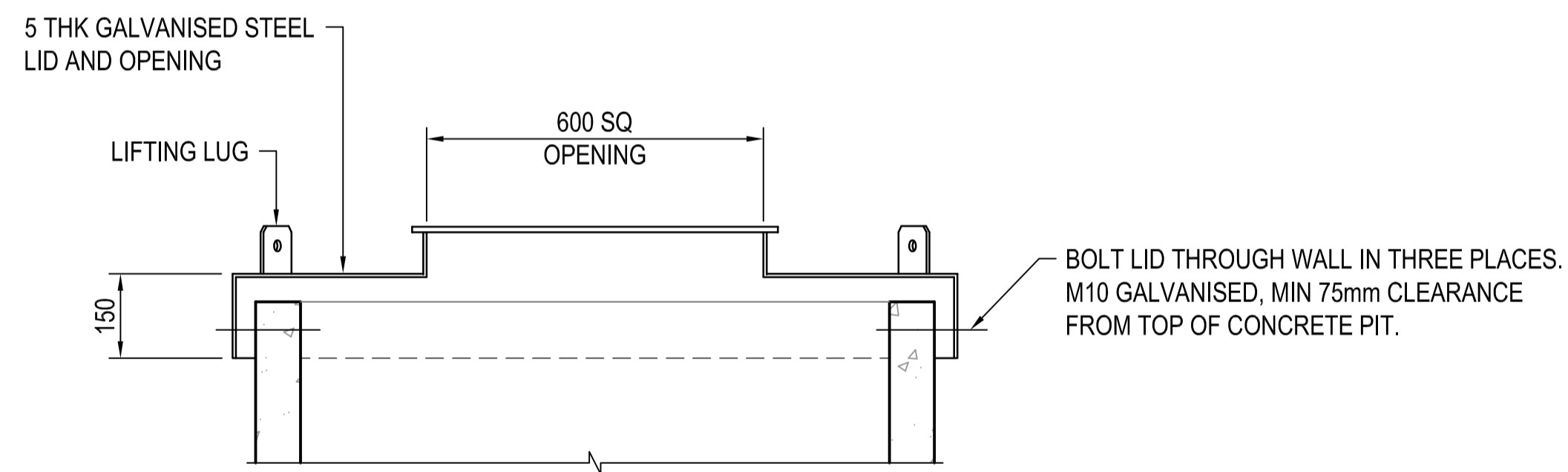
PLAN VIEW
MILD STEEL PIT COVER
SCALE 1:10



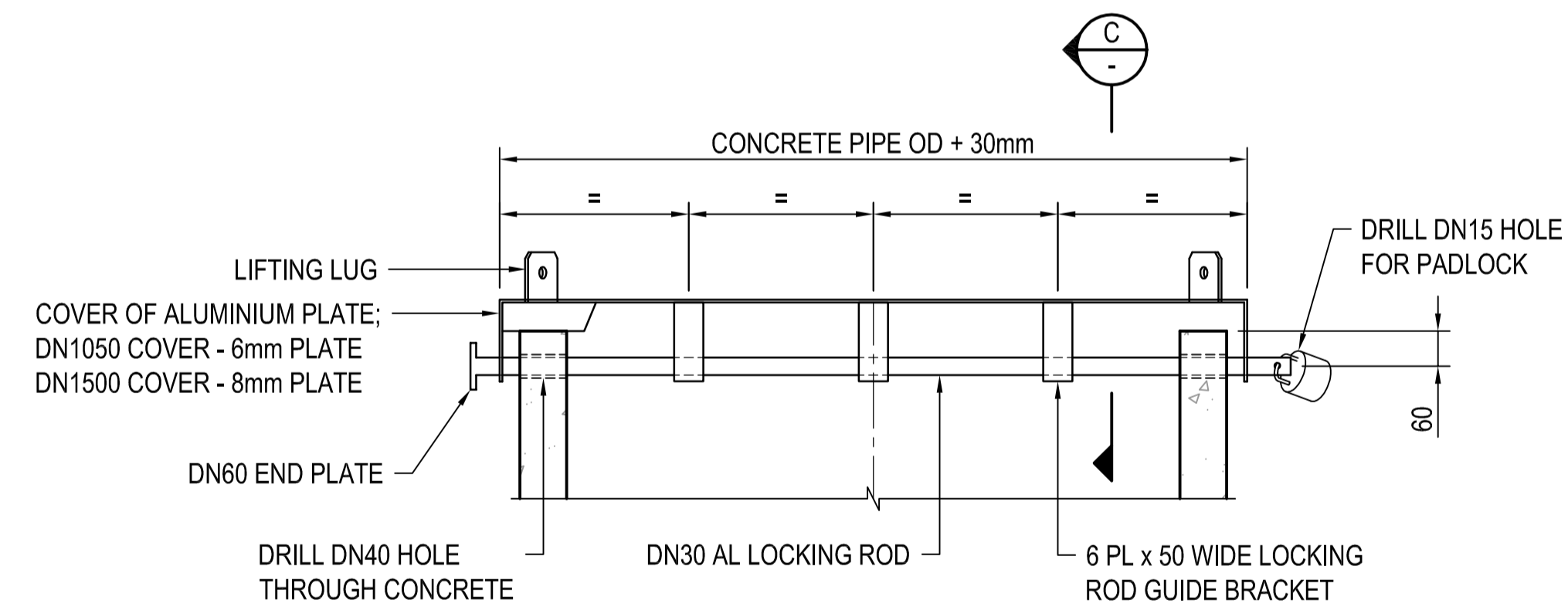
PLAN VIEW
ALUMINIUM PIT COVER
SCALE 1:10



SECTION
SCALE 1:5



SECTION
SCALE 1:10



SECTION
SCALE 1:10

STANDARD DRAWING

REFERENCES	
DRAWING	TITLE

REVISIONS							
No.	REVISION DESCRIPTION	OPS	OPS DATE	DRAWN	CHECKED	APPROVED	DATE
0	ISSUED FOR USE (FROM BWA-SD-C020)	-	-	-	-	PT*	11.09.14



DRG No. BW-SD-C020 DRAWING DISCIPLINE: WATER SHEET NO. 1 of 1

BARWON WATER - STANDARD DRAWING
PIT COVERS FOR CIRCULAR PITS
ALUMINIUM AND MILD STEEL

SCALE:	PLAN	SECTION	HORIZ.	VERT.
1:10	1:10	1:10	1:10	1:10

FILE No. A1