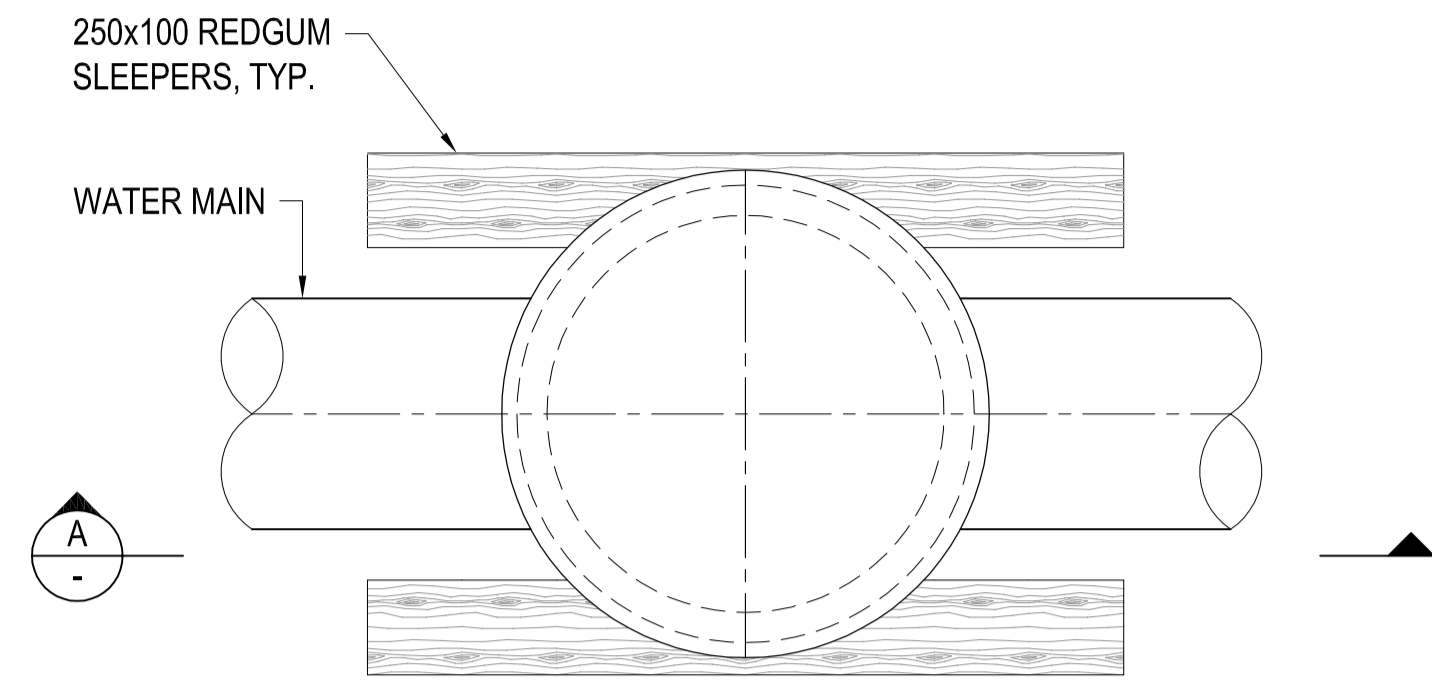
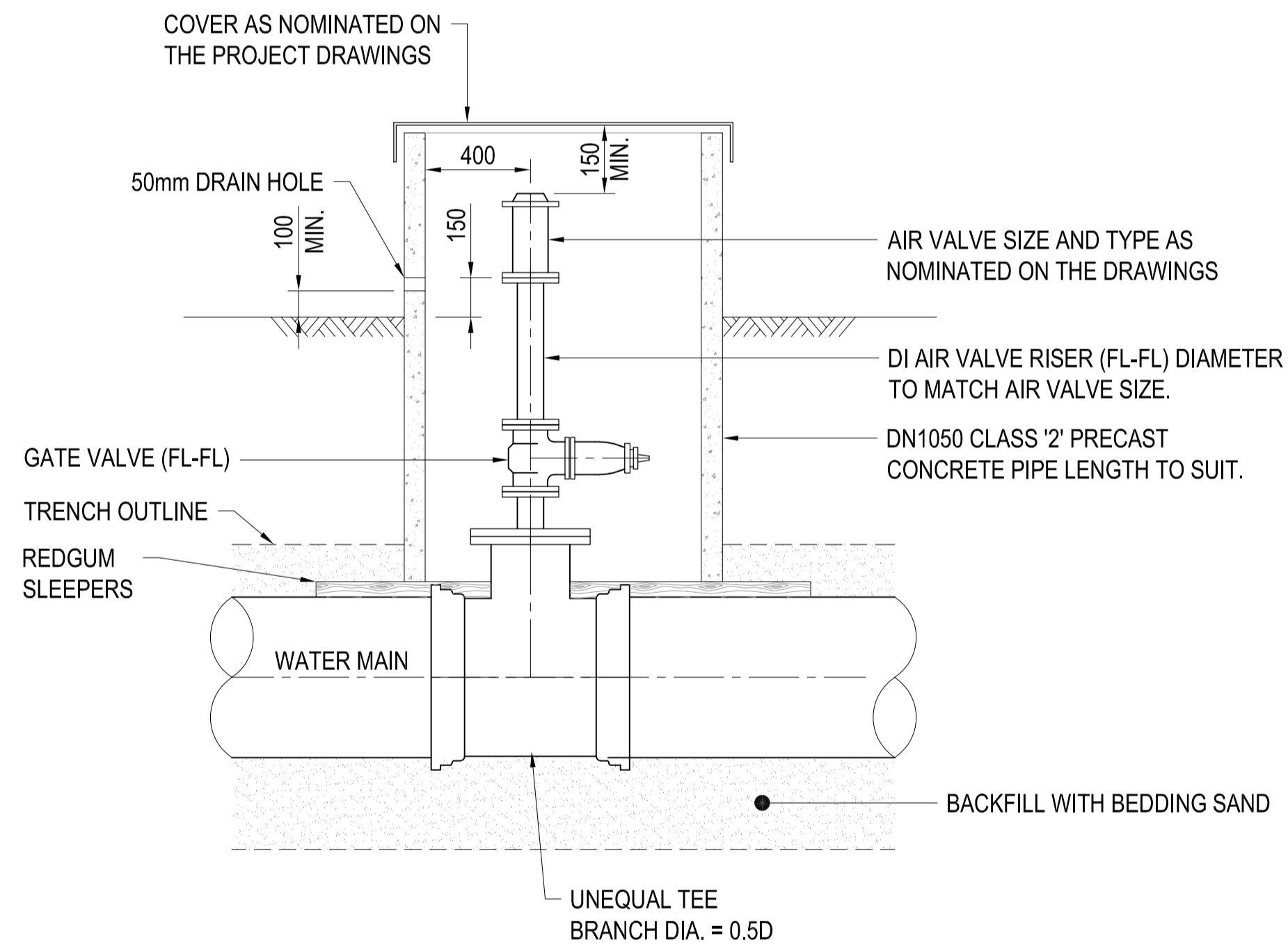


DO NOT SCALE

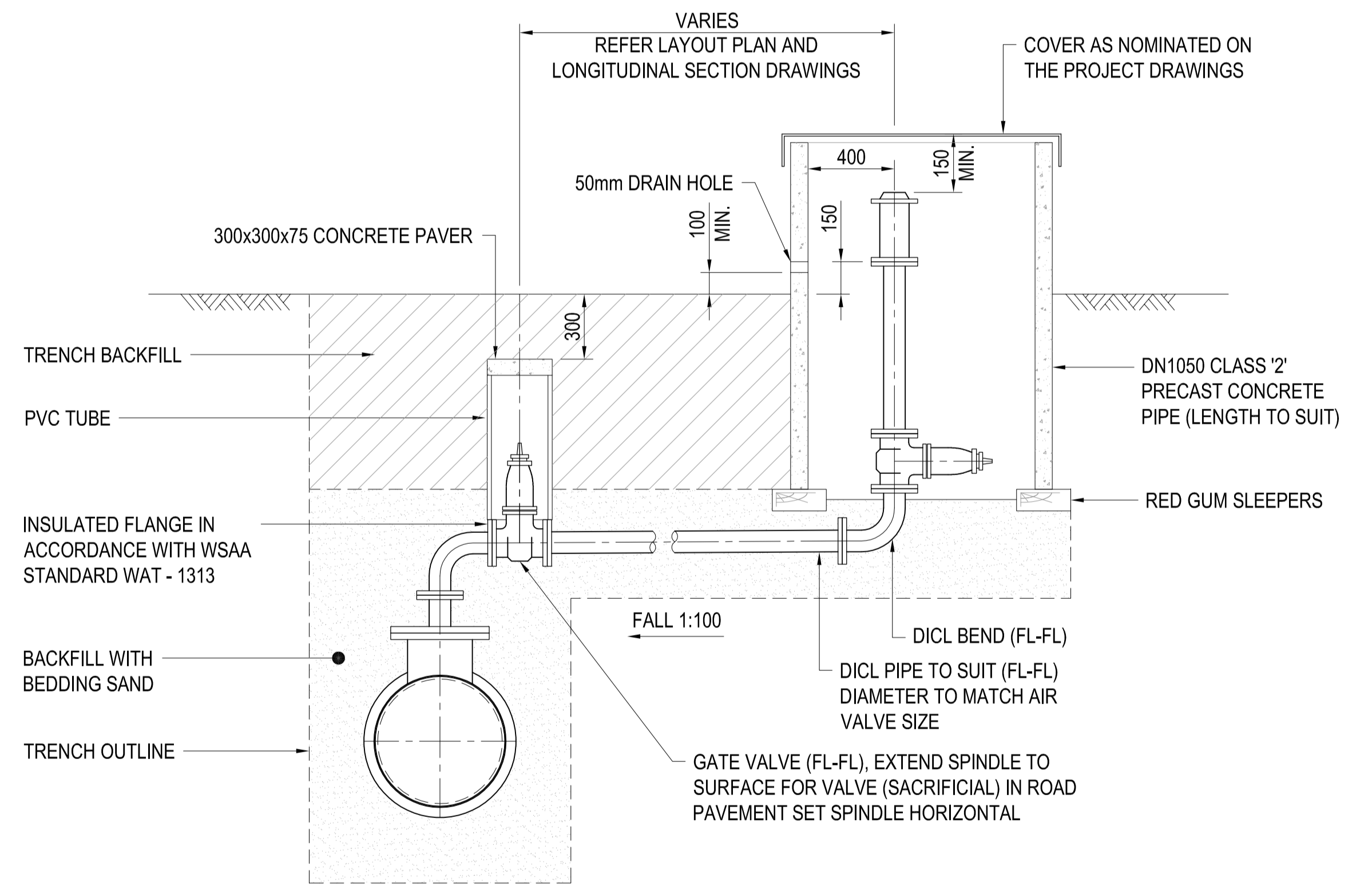


PLAN VIEW
NON TRAFFICABLE
SCALE 1:20



TYPE 'A' - IN-LINE AIR VALVE

A SECTION
SCALE 1:20

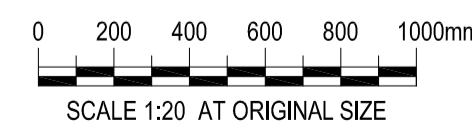


TYPE 'B' - OFFSET AIR VALVE
NON TRAFFICABLE

SCALE 1:20

STANDARD DRAWING

REFERENCES		REVISIONS							
DRAWING	TITLE	No.	REVISION DESCRIPTION	OPS	OPS DATE	DRAWN	CHECKED	APPROVED	DATE
		0	ISSUED FOR USE (FROM BWA-SD-W020)	-	-	-	-	PT*	11.09.14



BARWON WATER - STANDARD DRAWING
WATER SUPPLY
AIR VALVE DETAILS - TYPE 'A' AND 'B' - NON TRAFFICABLE

DRG No. BW-SD-W020 DRAWING DISCIPLINE: WATER SHEET NO. 1 of 1

DESIGNED	17.11.09	APPROVED	11.09.14
A.MICALLEF		P.THOMAS*	
DESIGN CHECK	24.06.10	M.WOODS*	24.06.10
L.BERON*			

FILE No. A1