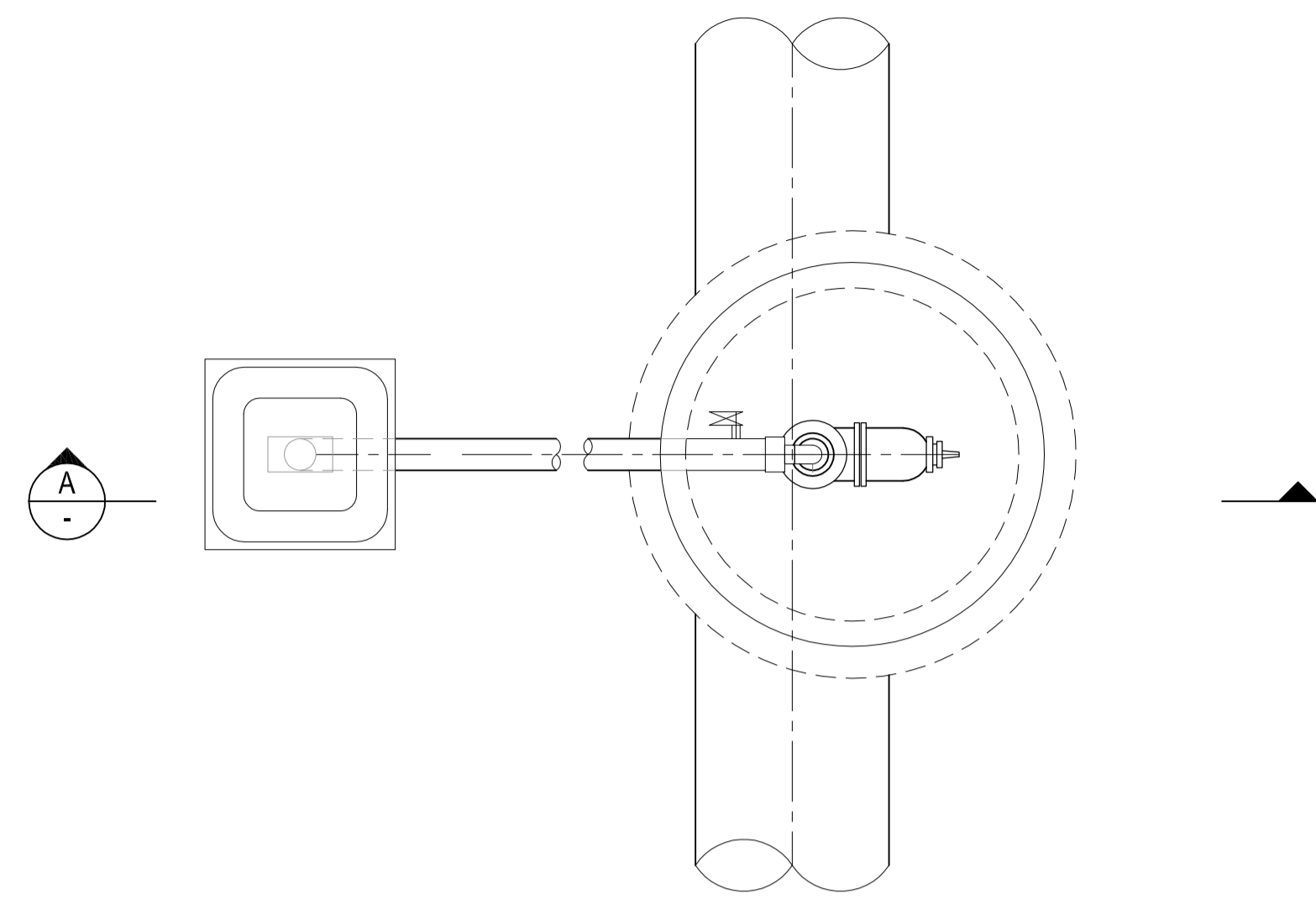
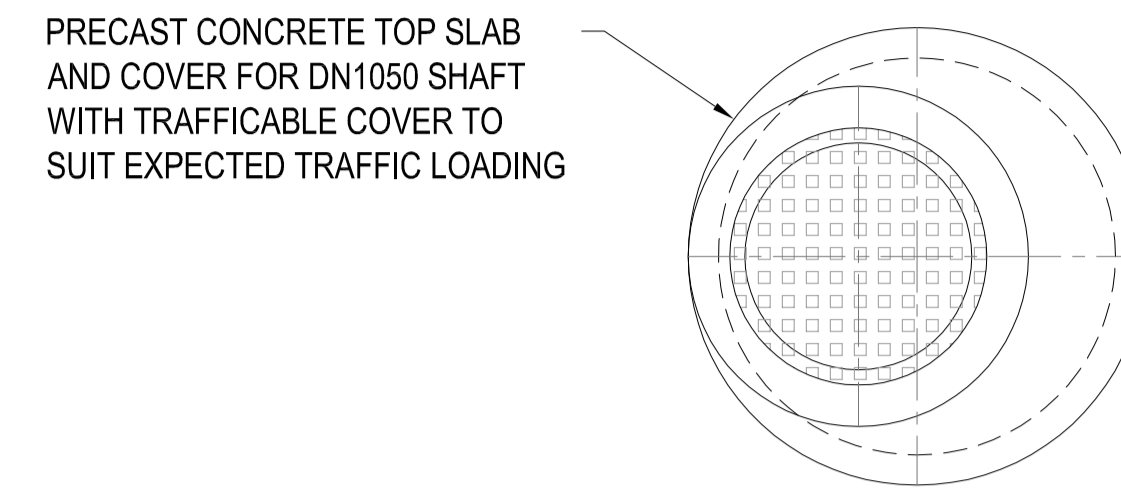


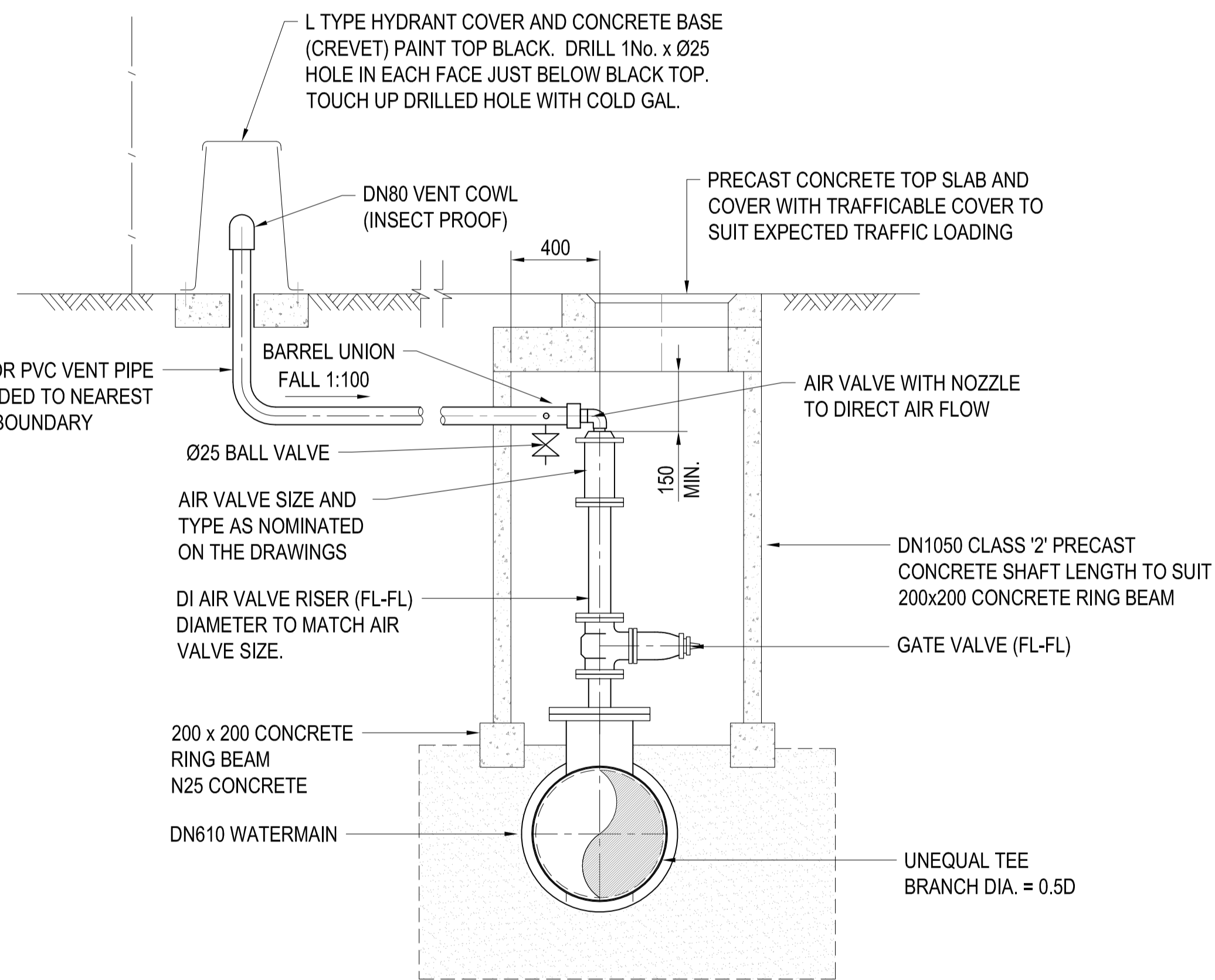
DO NOT SCALE



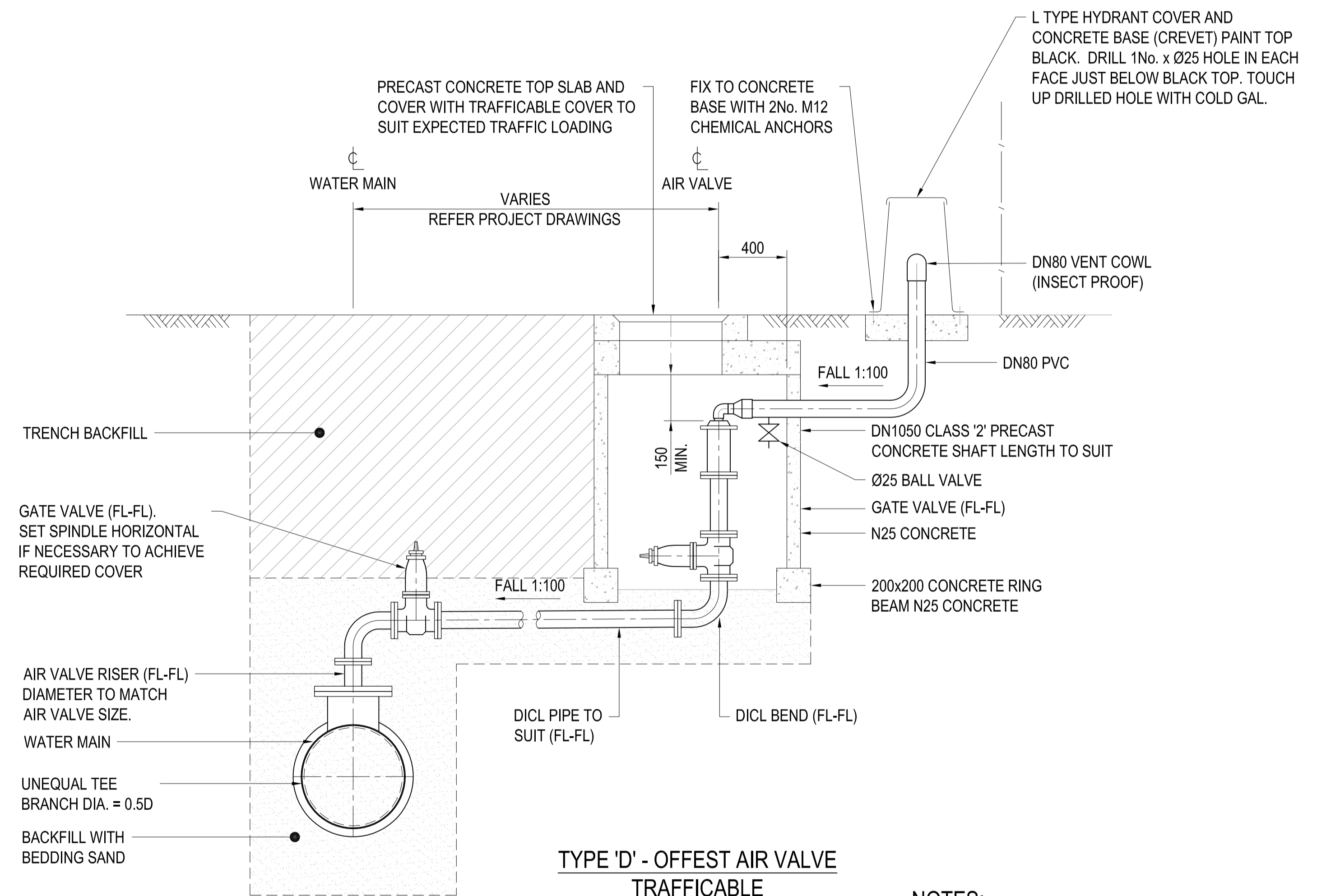
PLAN VIEW - BELOW COVER
TRAFFICABLE
SCALE 1:20



PLAN VIEW
PIT COVER
SCALE 1:20



TYPE 'C' - IN-LINE AIR VALVE
TRAFFICABLE
A SECTION
SCALE 1:20



TYPE 'D' - OFFSET AIR VALVE
TRAFFICABLE
SCALE 1:20

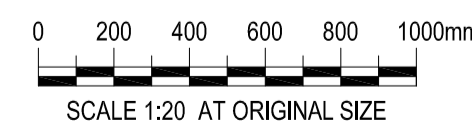
NOTES:

- FOR BERMAD AIR VALVES REPLACE CI COVER WITH SUB KIT TO ALLOW PIPED VENTING.
- IF AMIAD AIR VALVE BEING USED SELECT D-060 MODEL WITH COVER REPLACEMENT KIT. PIPE SMALL ORIFICE VALVE SEPARATELY TO CONNECT TO VENT PIPE.

STANDARD DRAWING

REFERENCES	
DRAWING	TITLE

REVISIONS							
No.	REVISION DESCRIPTION	OPS	OPS DATE	DRAWN	CHECKED	APPROVED	DATE
0	ISSUED FOR USE (FROM BWA-SD-W021)	-	-	-	-	PT*	11.09.14



DRG No. **BW-SD -W021** DRAWING DISCIPLINE: WATER SHEET NO. 1 of 1

BARWON WATER - STANDARD DRAWING
WATER SUPPLY
AIR VALVE DETAILS - TYPE 'C' AND 'D'

DESIGNED A.MICALLEF 17.11.09	APPROVED P.THOMAS* 11.09.14	SCALE: PLAN 1:20 SECTION 1:20 HORIZ. 1:20 VERT. 1:20 Scale for A1 sheet
DRAFTING CHECK L.BERON* 24.06.10	DESIGN CHECK M.WOODS* 24.06.10	