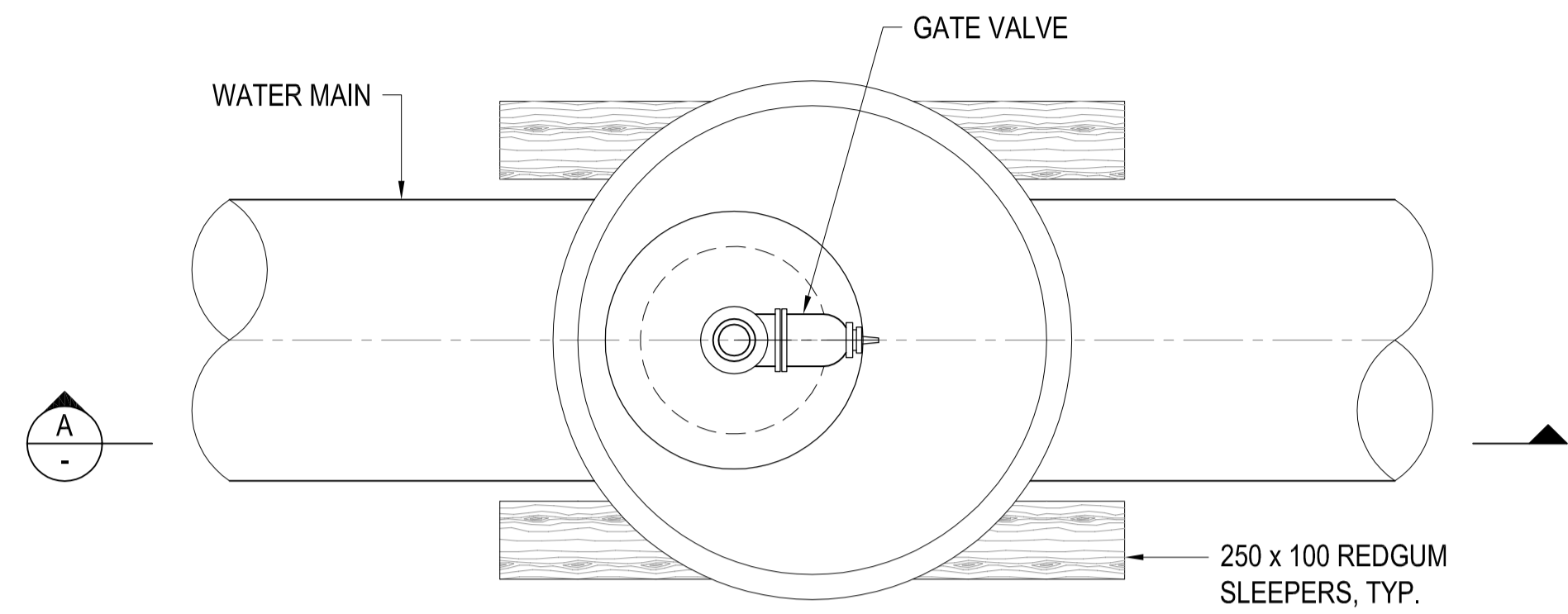
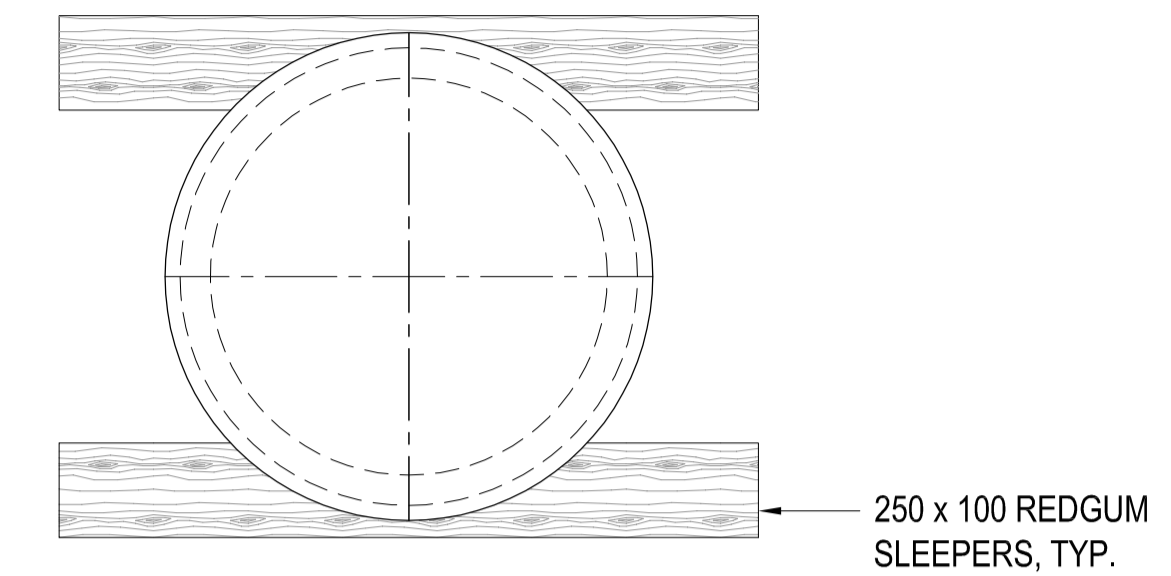


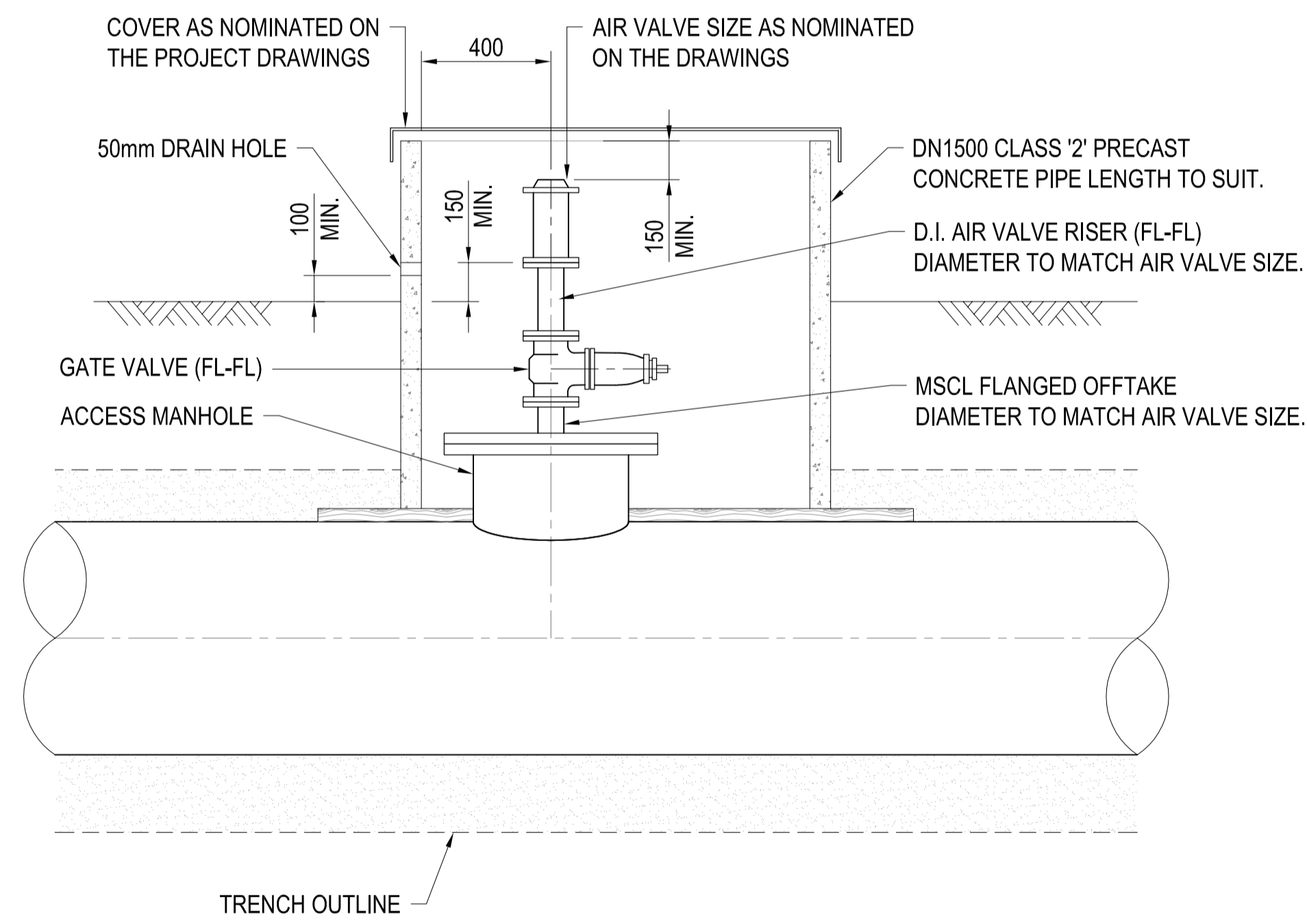
DO NOT SCALE



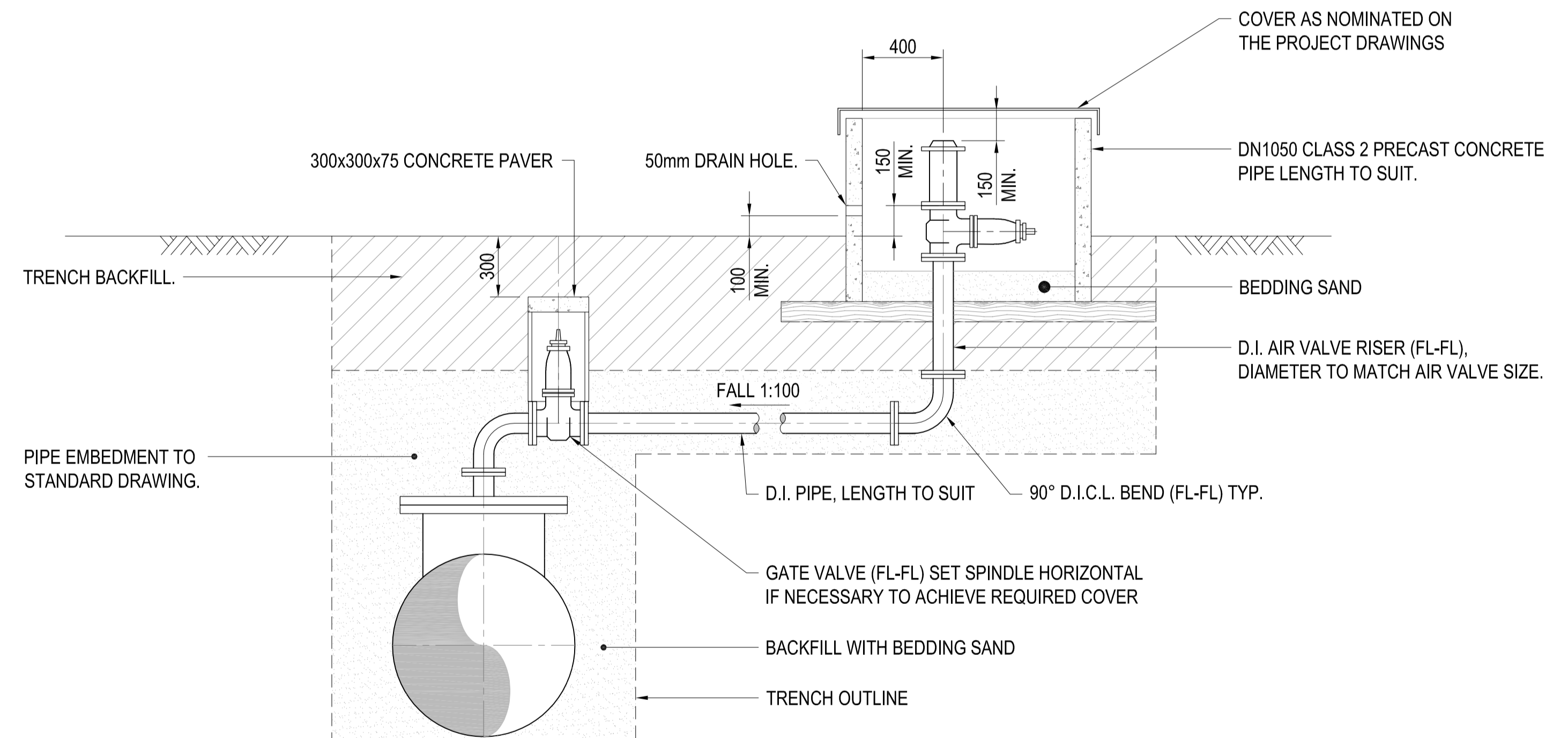
PLAN VIEW - BELOW COVER LEVEL
NON TRAFFICABLE
 SCALE 1:20



PLAN VIEW
 SCALE 1:20



TYPE 'E'
A SECTION
 SCALE 1 : 20



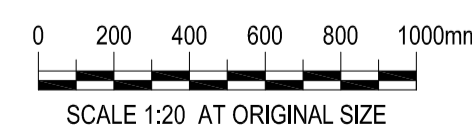
SECTION VIEW
OFFSET PIT - TYPE 'F'
 SCALE 1:20

NOTES:

1. TYPES 'E' AND 'F' FOR PIPELINES DN450 AND LARGER
2. REFER DRG. BW-SD-C020 FOR COVER DETAILS

PIPE DIAMETER (mm)	MANHOLE SIZE (mm)
450	300
525	300
600	300
>750	600

STANDARD DRAWING



BARWON WATER - STANDARD DRAWING
WATER SUPPLY
AIR VALVE DETAILS - TYPE 'E' AND 'F' - NON TRAFFICABLE

REFERENCES	
DRAWING	TITLE

REVISIONS							
No.	REVISION DESCRIPTION	OPS	OPS DATE	DRAWN	CHECKED	APPROVED	DATE
0	ISSUED FOR USE (FROM BWA-SD-W022)	-	-	-	-	PT*	11.09.14

--	--	--	--	--	--	--	--

DRG No.	BW-SD-W022	DRAWING DISCIPLINE:	WATER
		SHEET NO.	1 of 1

DRAWN	R.MARRIOTT	17.11.09	DESIGNED	A.MICALLEF	17.11.09	APPROVED	P.THOMAS*	11.09.14
DRAFTING CHECK	L.BERON*	24.06.10	DESIGN CHECK	M.WOODS*	24.06.10			

FILE No. A1