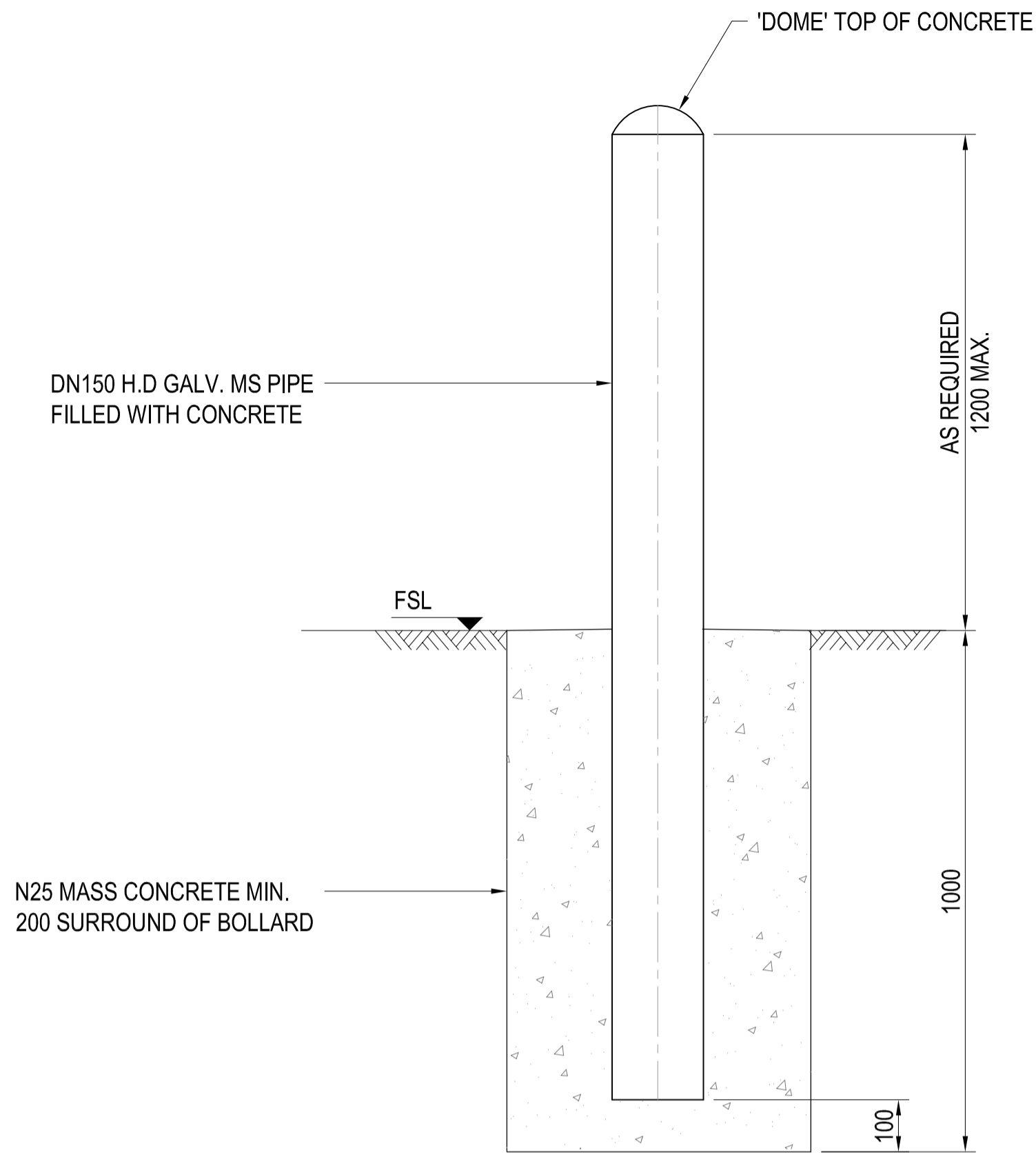
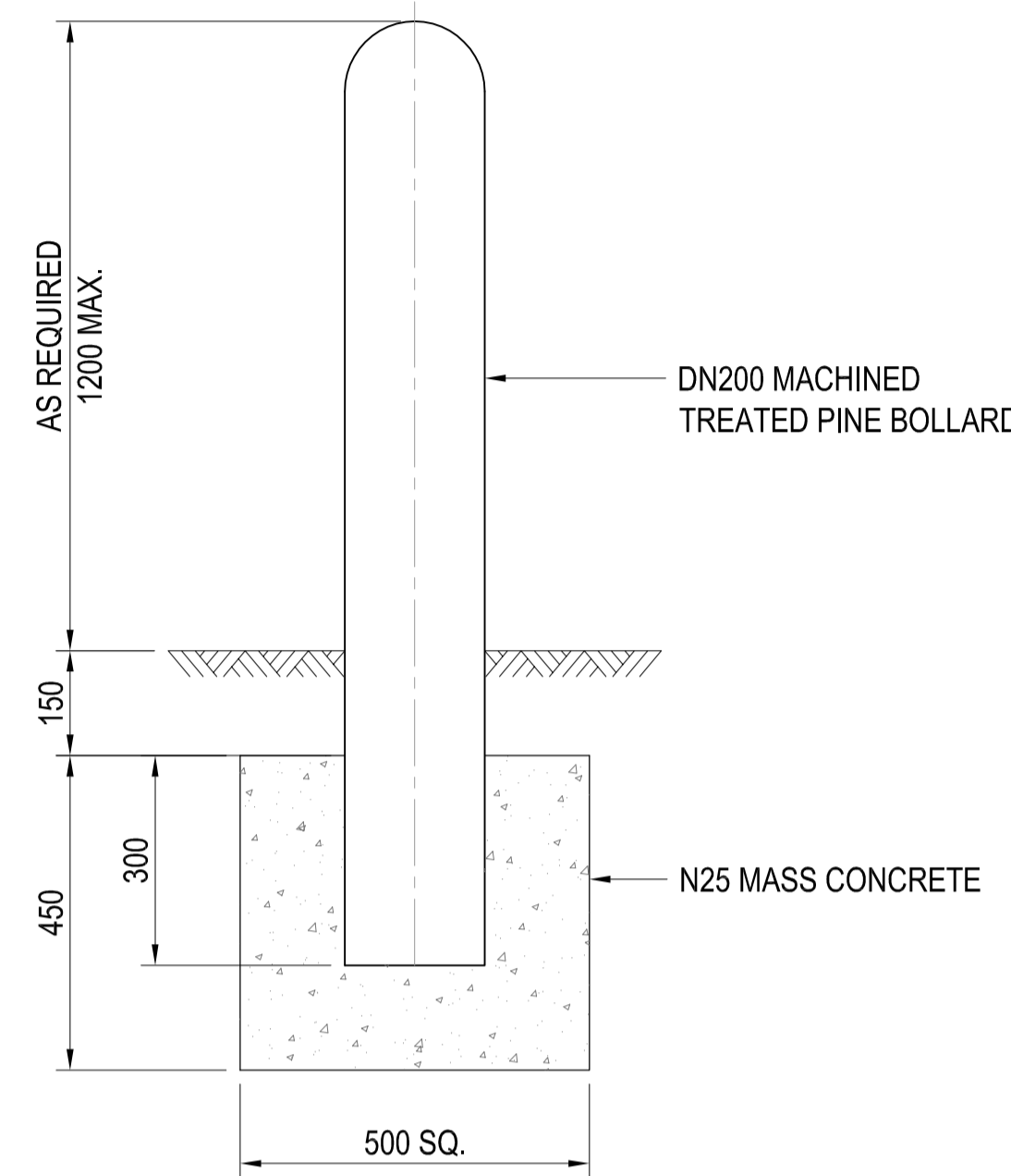


DO NOT SCALE



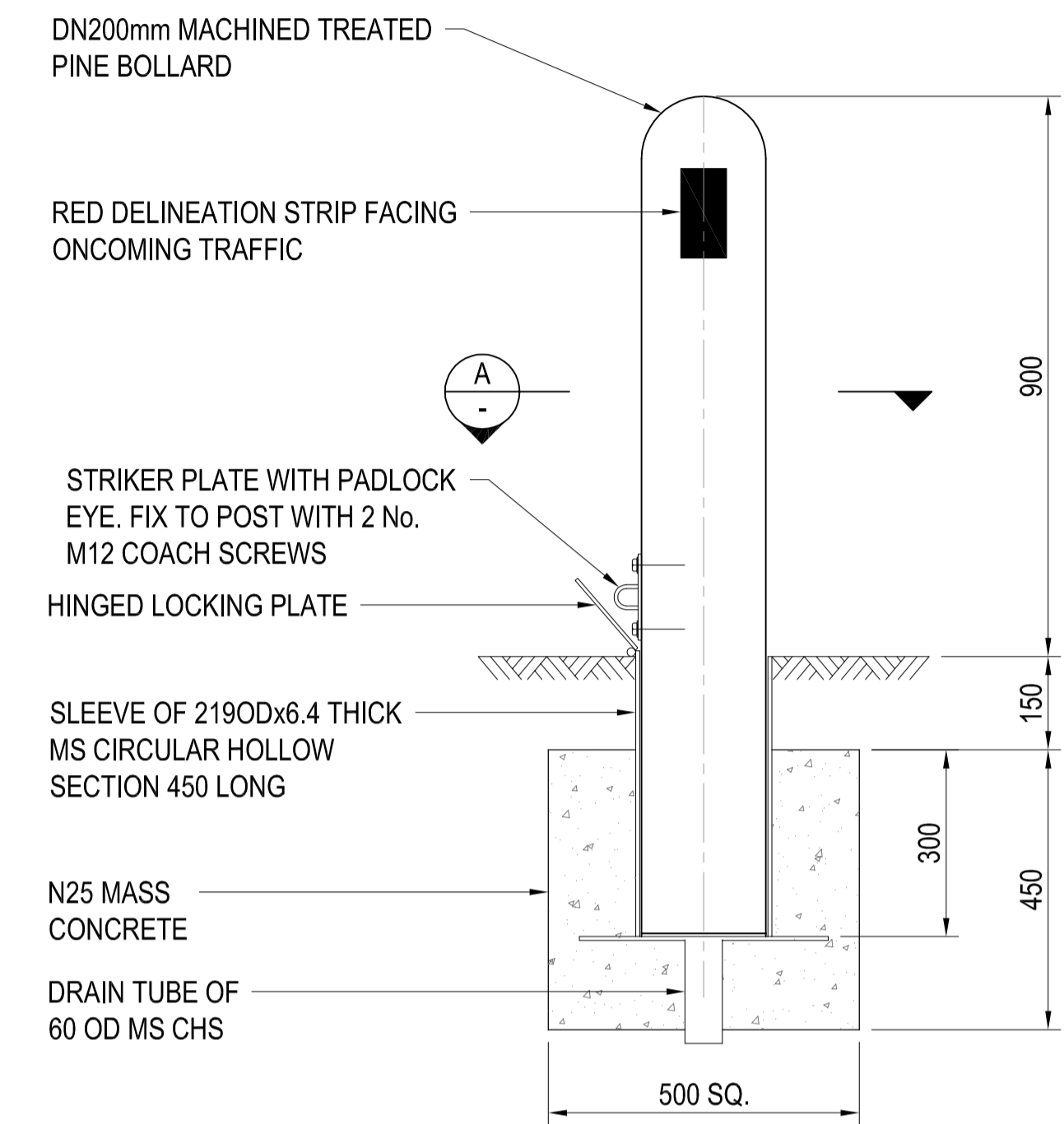
STEEL BOLLARD WITH INSITU CONCRETE FOOTING

SCALE 1:10



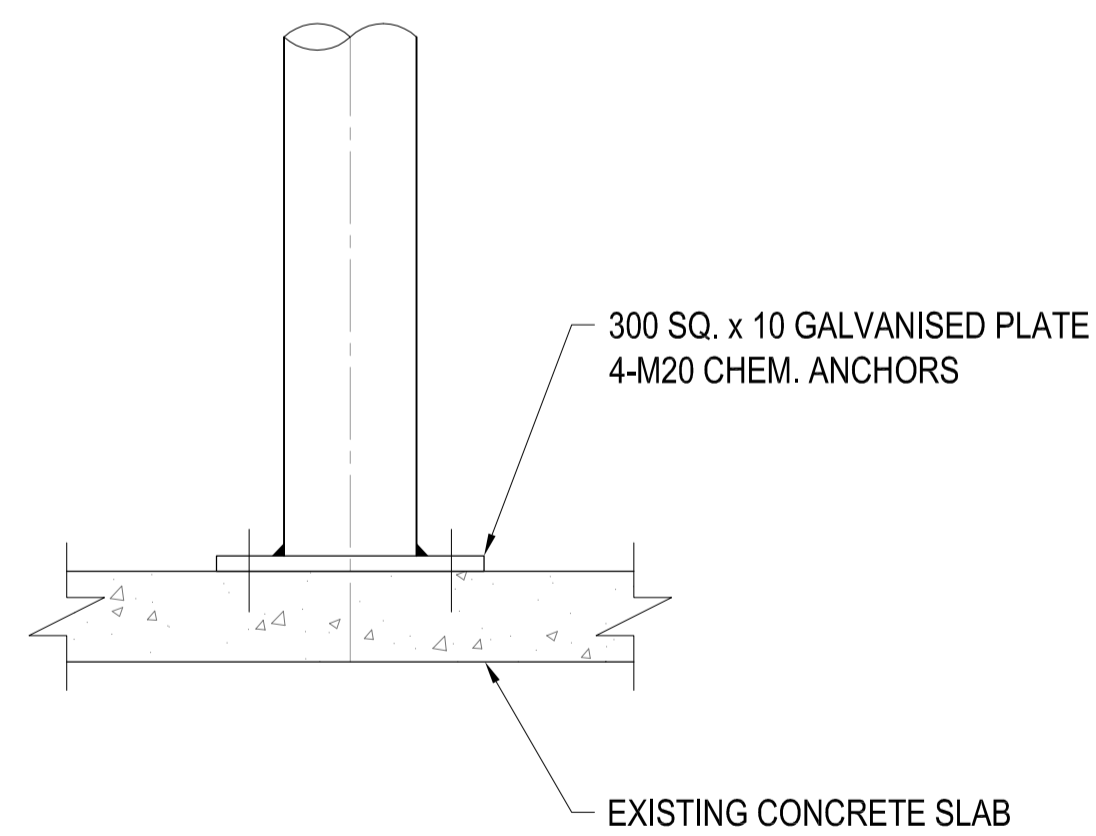
FIXED TIMBER BOLLARD

SCALE 1:10



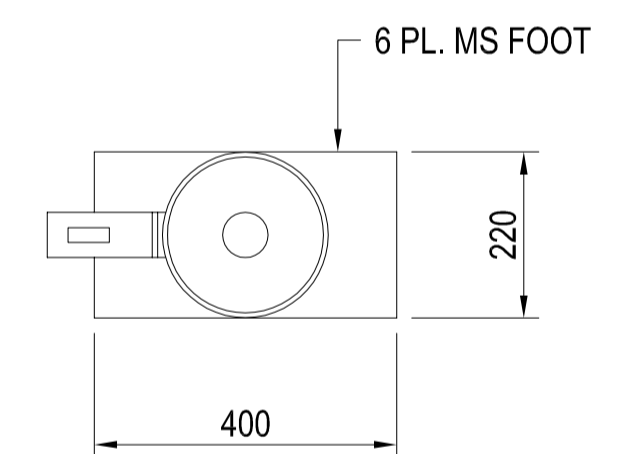
REMOVABLE TIMBER BOLLARD

SCALE 1:10



ALTERNATIVE BASE PLATE TYPICAL STEEL POST BOLLARD DETAIL

SCALE 1:10



HOT DIP GALVANISE ALL STEEL WORK AFTER FABRICATION

A SECTION
SCALE 1 : 10

TYPICAL TIMBER POST BOLLARD DETAIL

NOTE:

TIMBER TO BE DOUBLE TREATED WITH TANDLITH

STANDARD DRAWING



REFERENCES	
DRAWING	TITLE

REVISIONS							
No.	REVISION DESCRIPTION	OPS	OPS DATE	DRAWN	CHECKED	APPROVED	DATE
0	ISSUED FOR USE (FROM BWA-SD-G020)	-	-	-	-	PT*	11.09.14



BARWON WATER - STANDARD DRAWING
STEEL AND TIMBER BOLLARDS

DRG No. **BW-SD-G020**

DRAWING DISCIPLINE: GENERAL
SHEET NO. 1 of 1

DRAWN	DESIGNED	APPROVED	SCALES:
R.MARRIOTT 12.03.10	A.MICALLEF 12.03.10	P.THOMAS* 11.09.14	PLAN 1:10 SECTION 1:10 HORIZ. 1:10 VERT. 1:10 Scale for A1 sheet
DRAFTING CHECK L.BERON* 24.11.10	DESIGN CHECK B.SMITH* 25.11.10		

FILE NO. **A1**