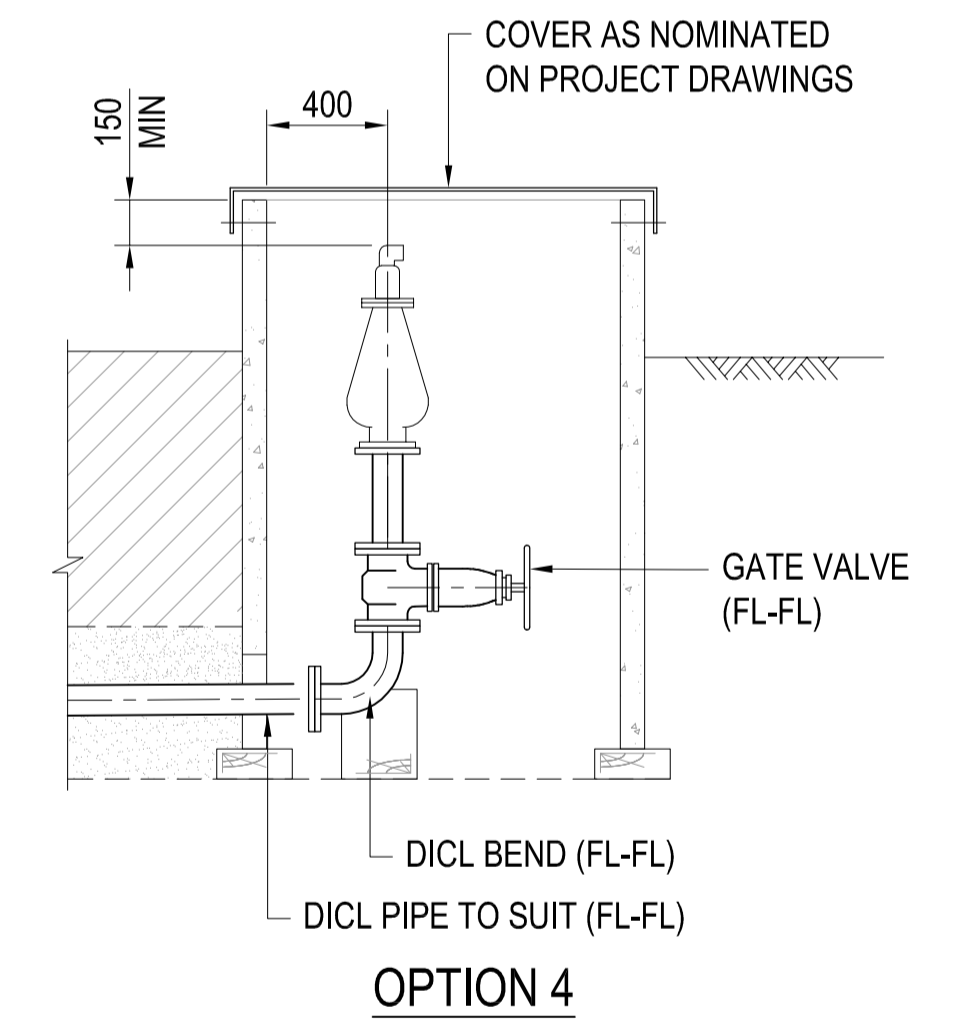
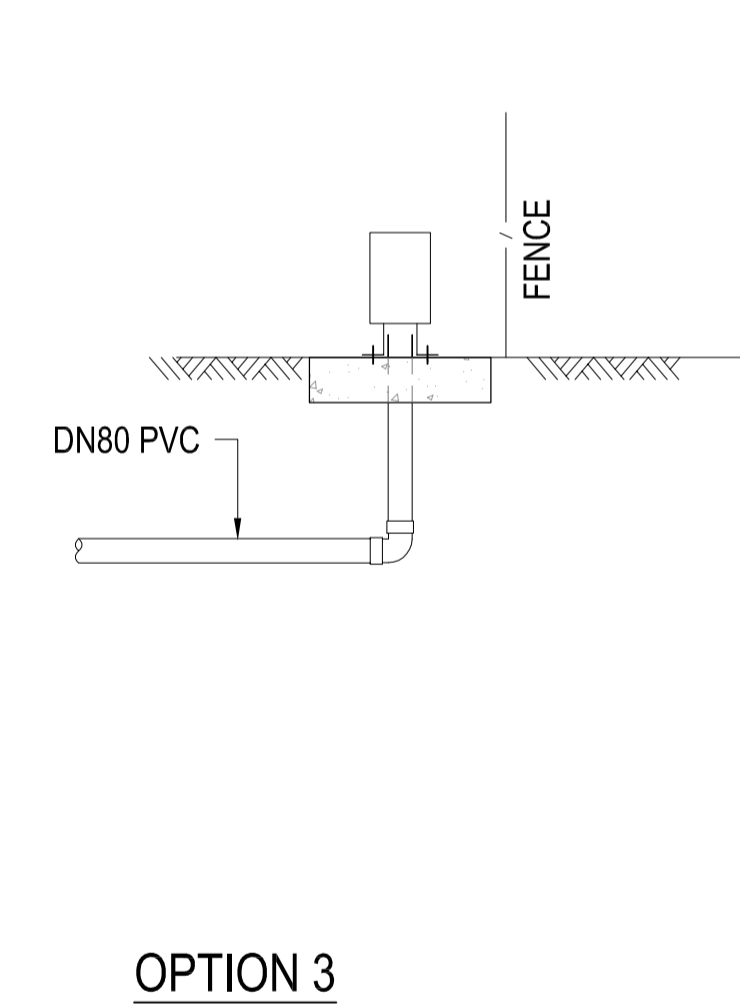
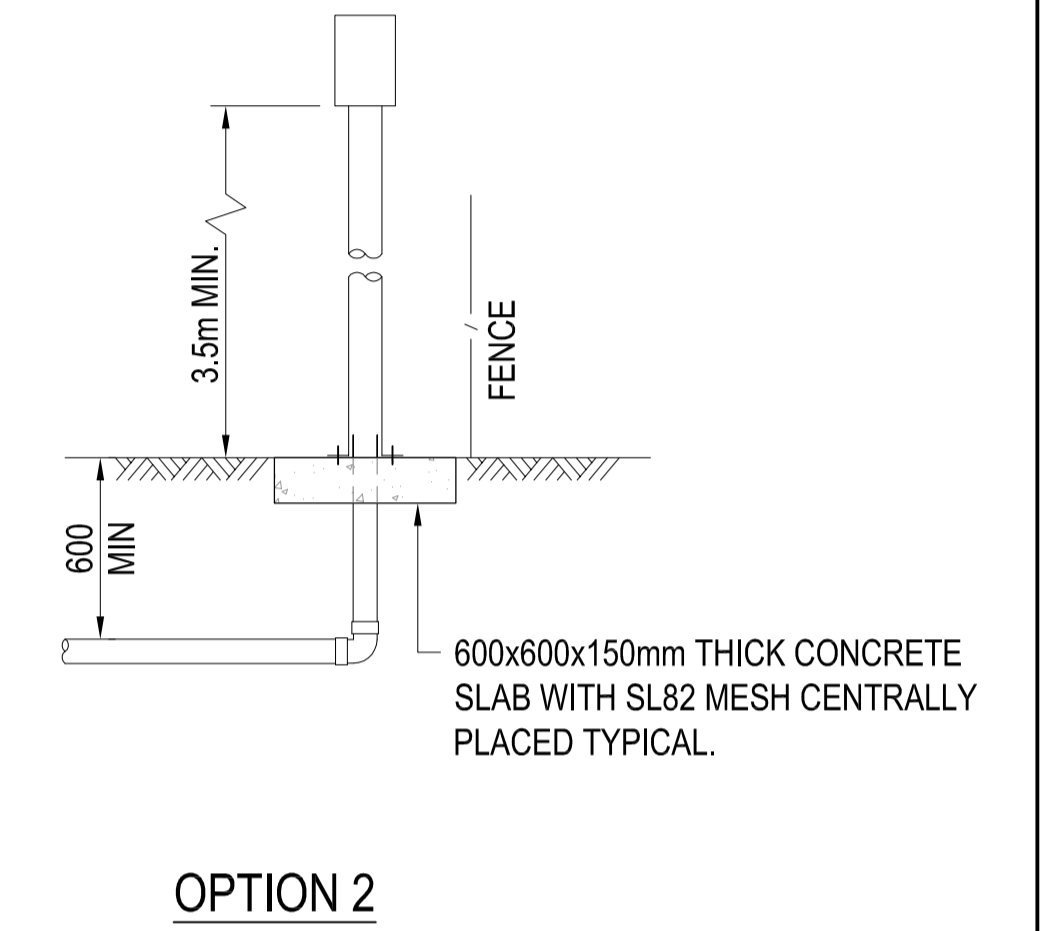
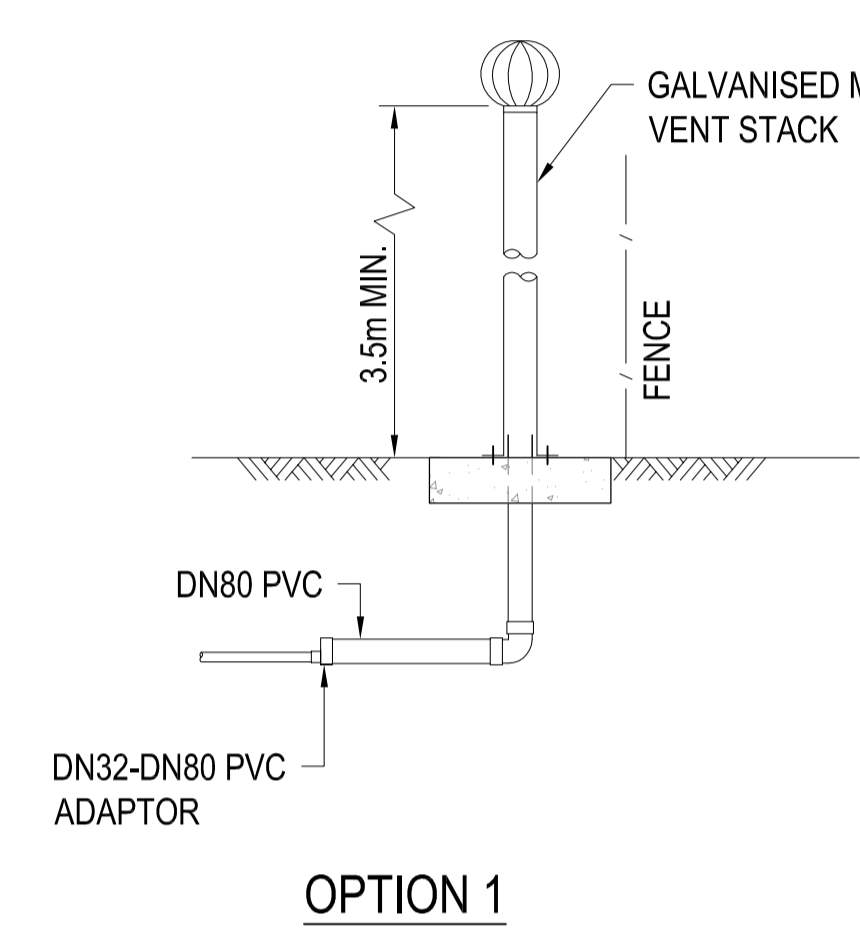
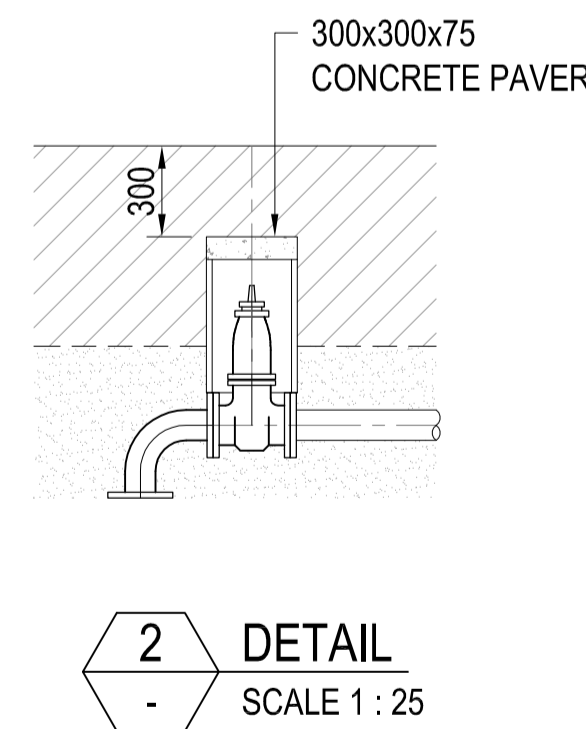
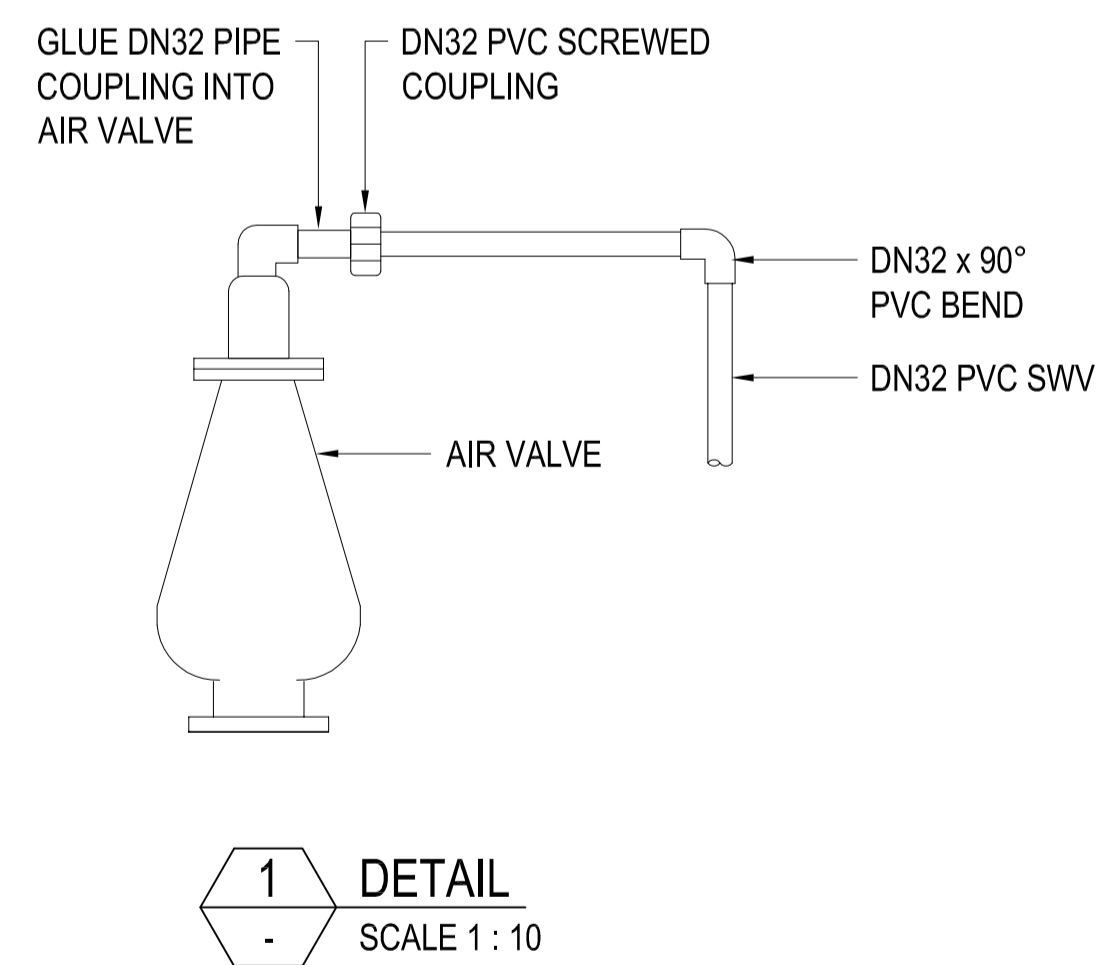
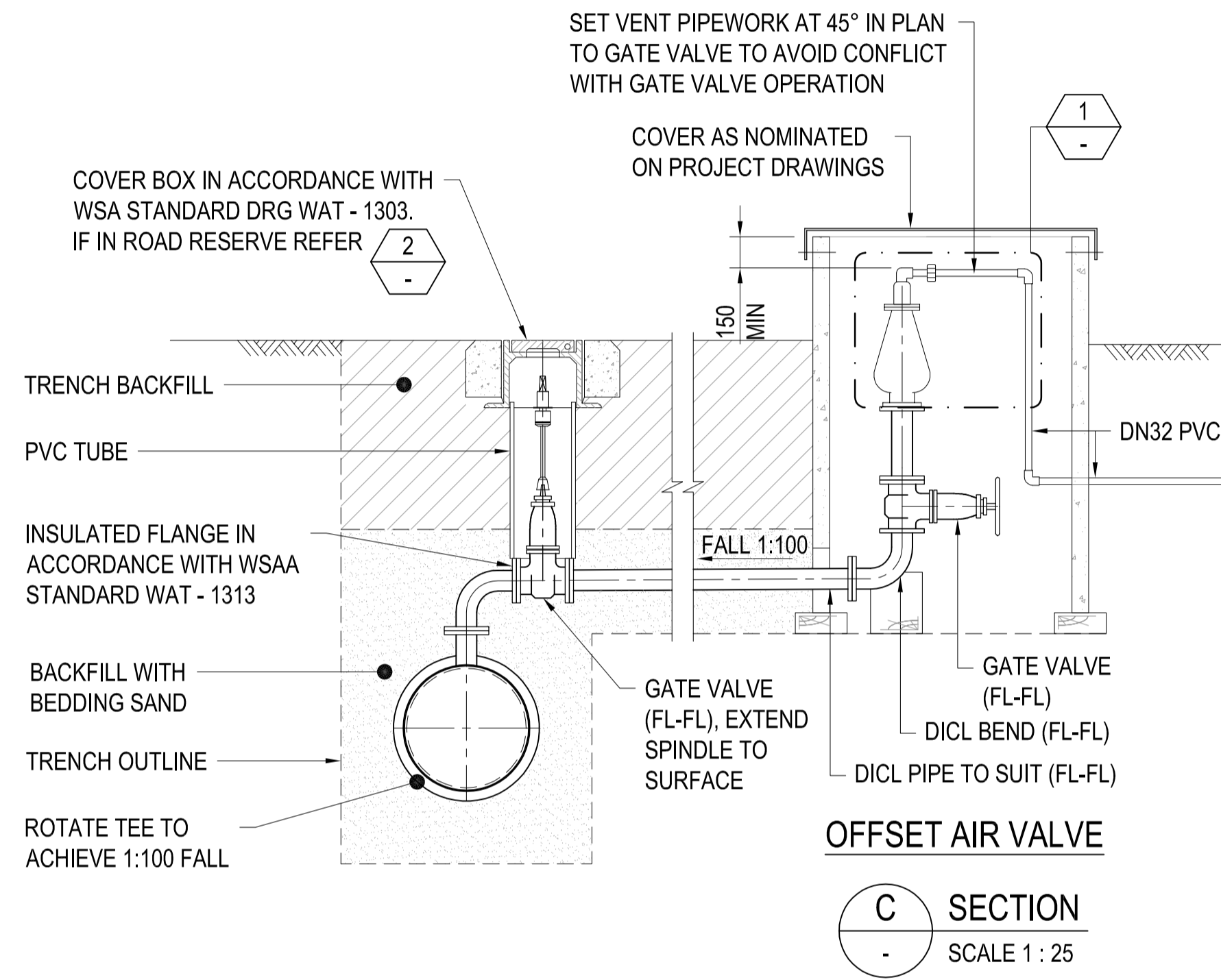
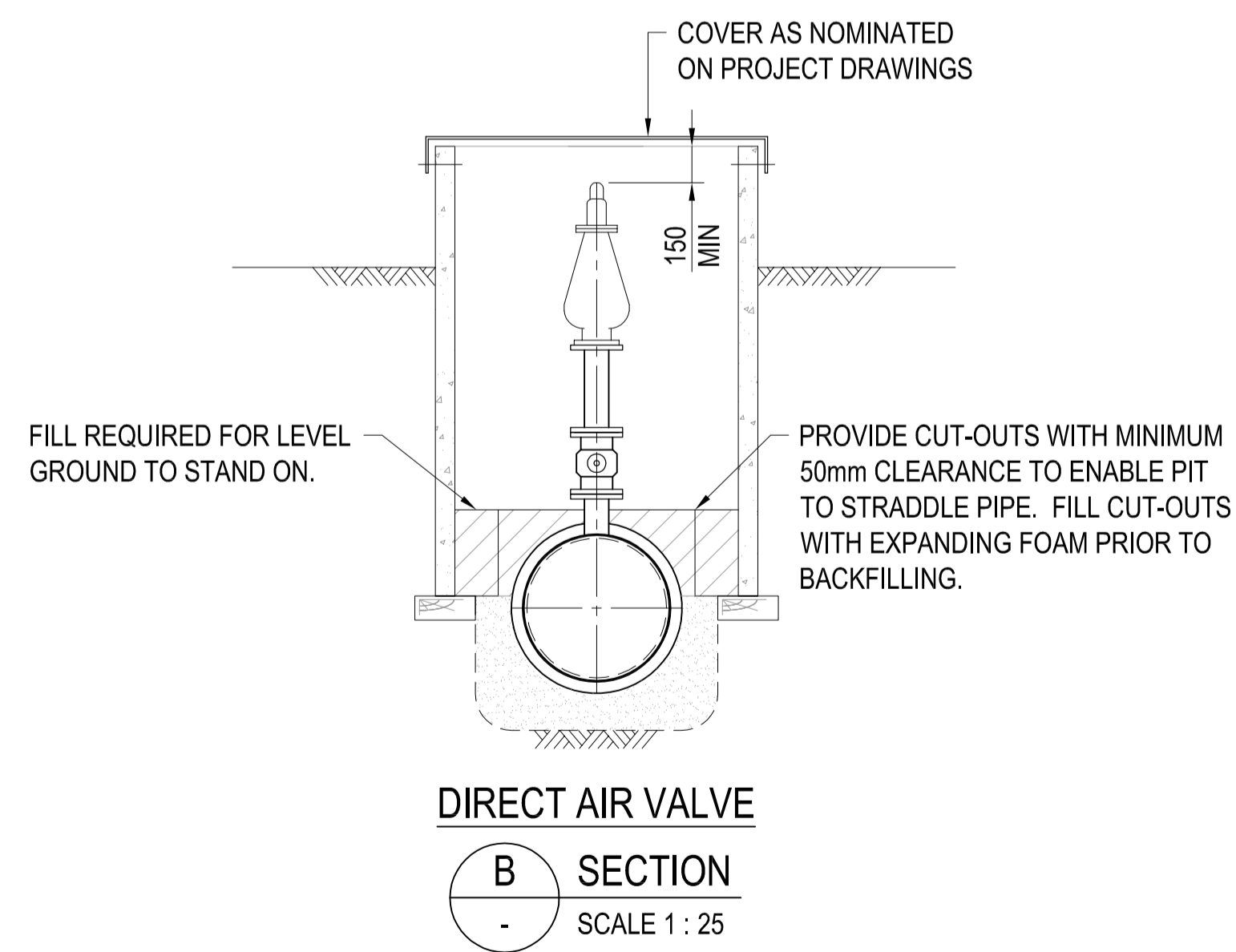
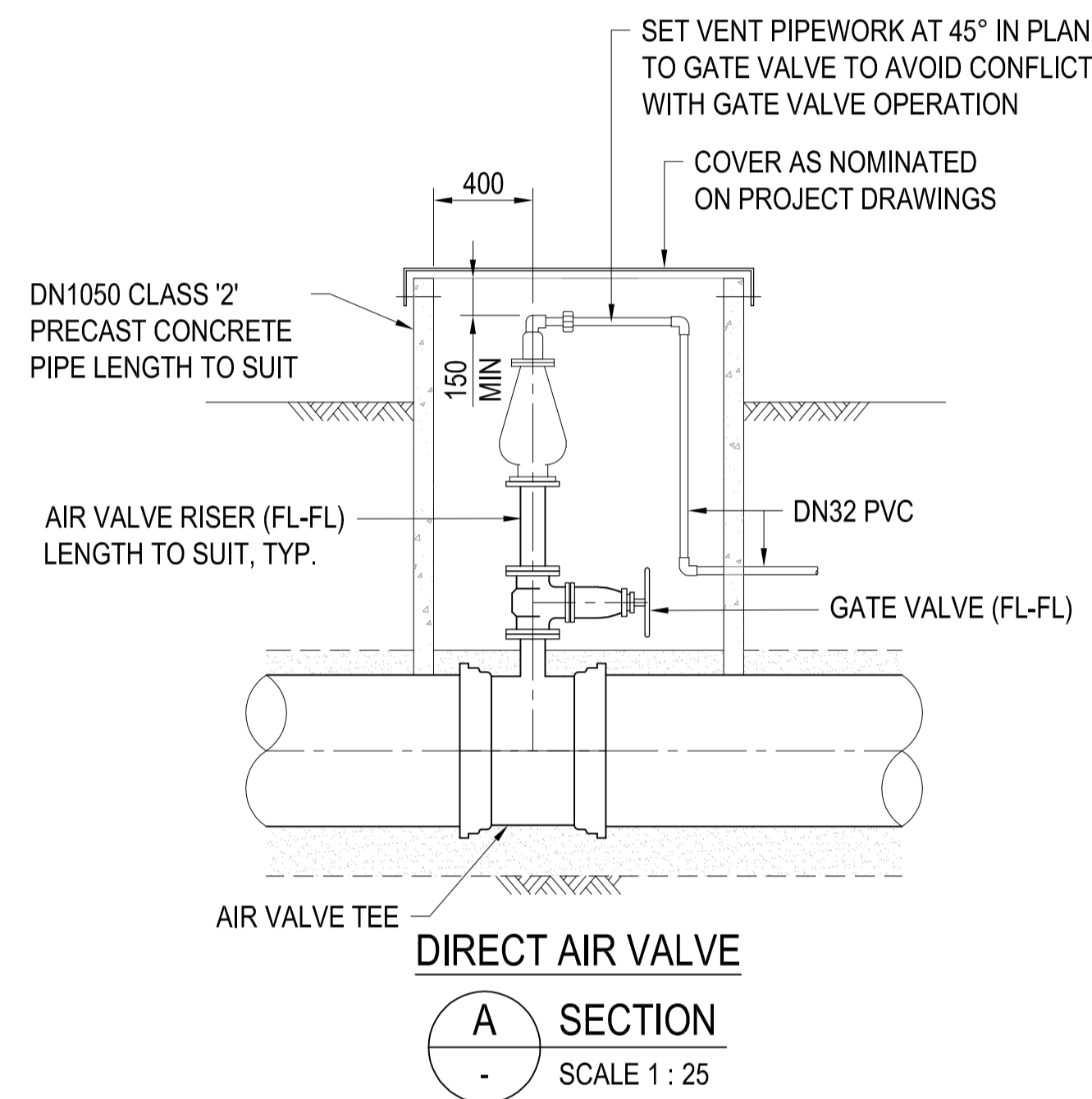
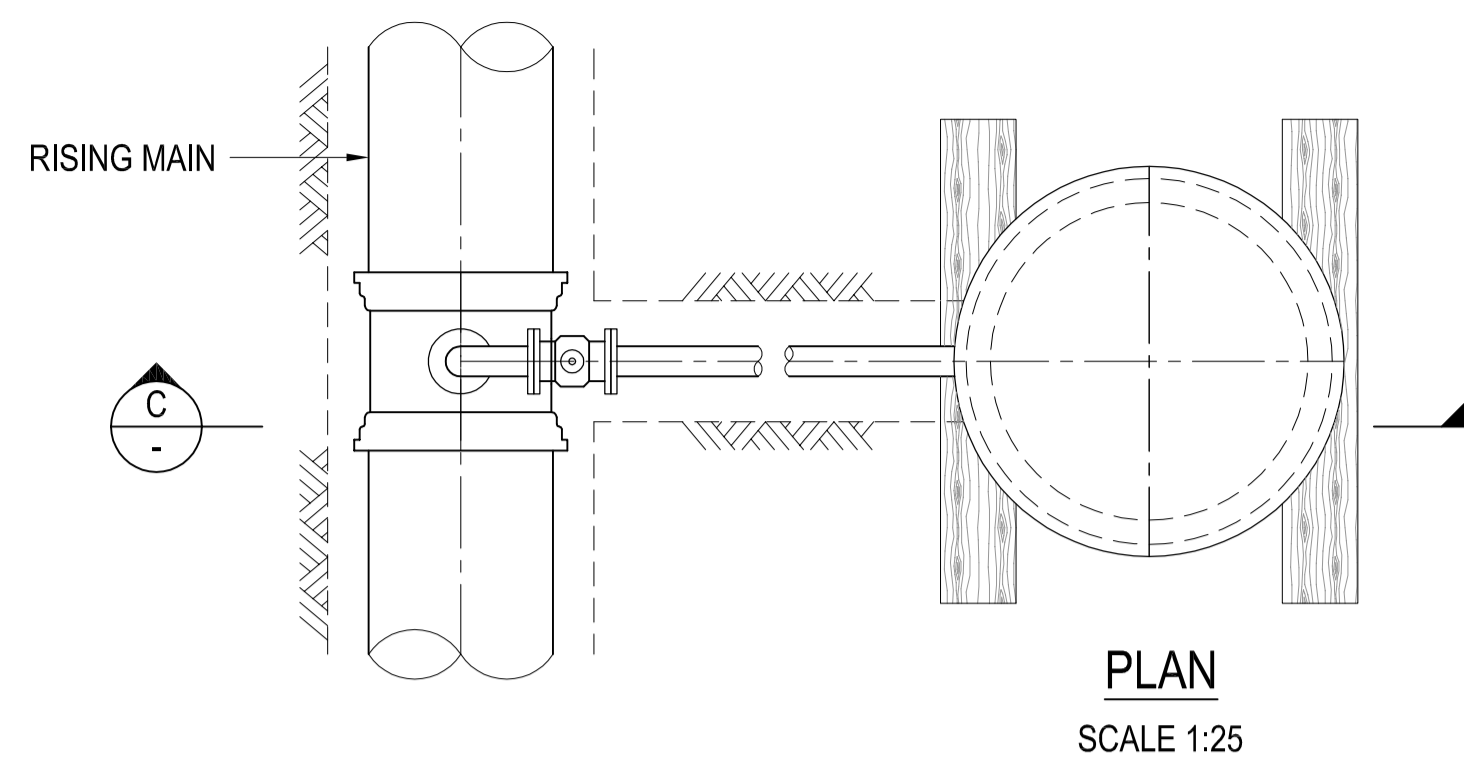
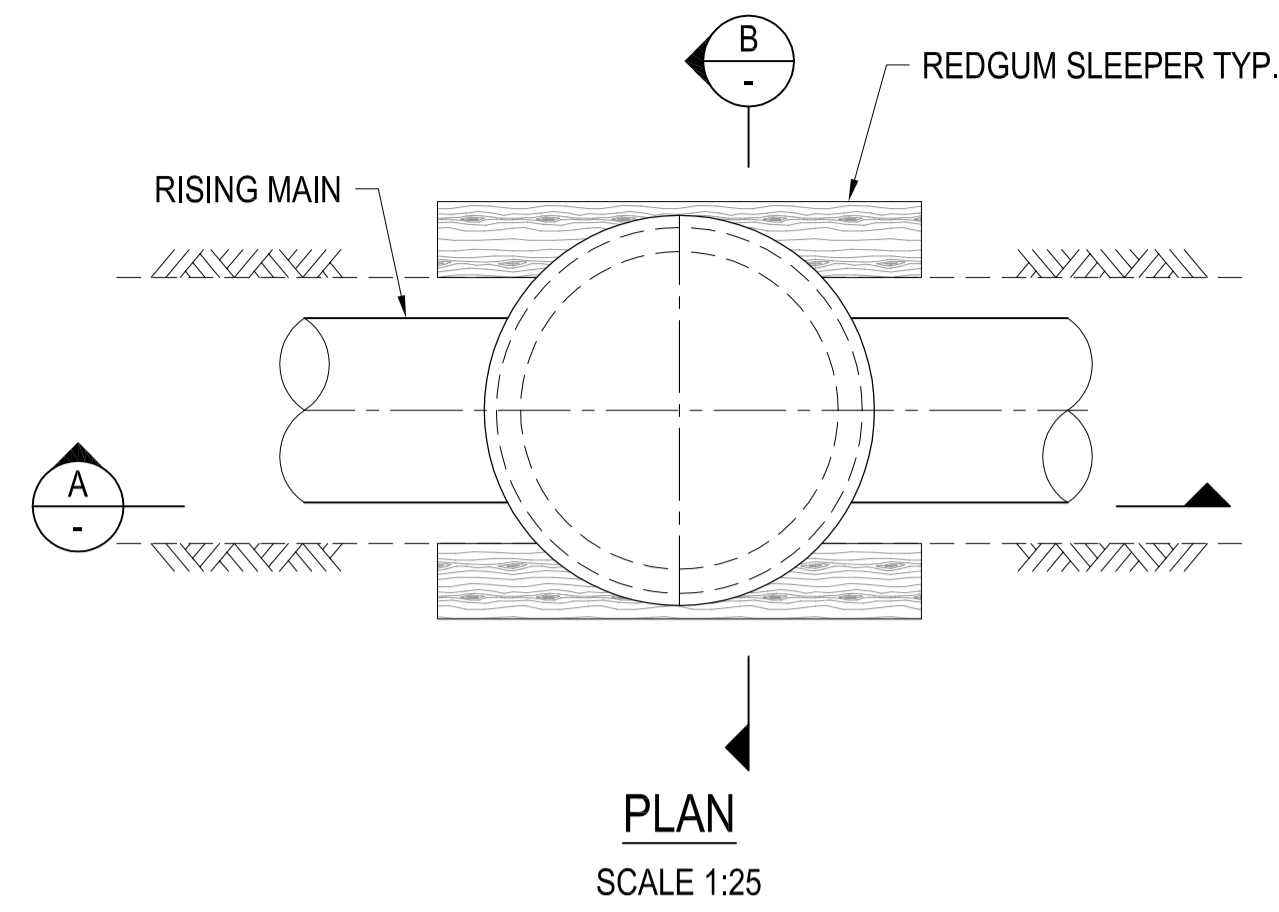


DO NOT SCALE



AIR VENT OPTIONS

NOTES:

- REFER DRG No. BW-SD-C020 FOR COVER DETAILS.
- INSTALL VENT WHERE DIRECTED ON THE PROJECT DRAWINGS.
- INSTALL VENT OPTION AS DIRECTED ON THE PROJECT DRAWINGS.

STANDARD DRAWING



BARWON WATER - STANDARD DRAWING
WATER RECLAMATION
AIR VALVES TYPICAL DETAILS

| DRAWING | TITLE |
|---------|-------|
| | |

| No. | REVISION DESCRIPTION | REVISIONS | | | | | |
|-----|-----------------------------------|-----------|----------|-------|---------|----------|----------|
| | | OPS | OPS DATE | DRAWN | CHECKED | APPROVED | DATE |
| 0 | ISSUED FOR USE (FROM BWA-SD-W024) | - | - | - | - | PT* | 11.09.14 |

DRG No. BW-SD-W024 DRAWING DISCIPLINE: WATER SHEET NO. 1 of 1

| SCALE | DATE | BY | FOR |
|---------|----------|-------------|-----------|
| PLAN | 04.05.10 | A.MICALLEF | P.THOMAS* |
| SECTION | 04.05.10 | A.MICALLEF | P.THOMAS* |
| HORIZ. | 24.06.10 | R.MARRIOTT* | 11.09.14 |
| VERT. | 24.06.10 | M.WOODS* | 11.09.14 |