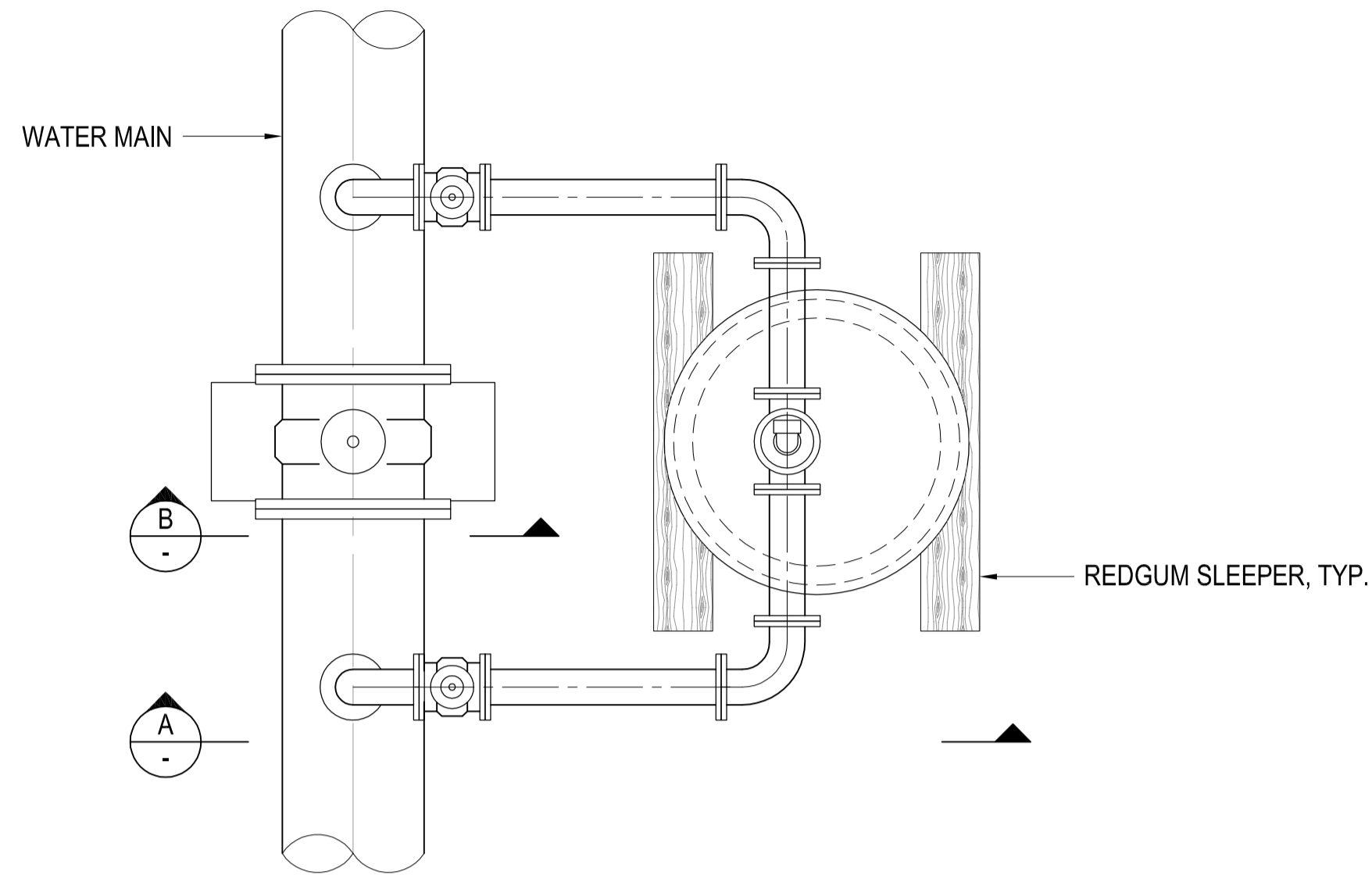


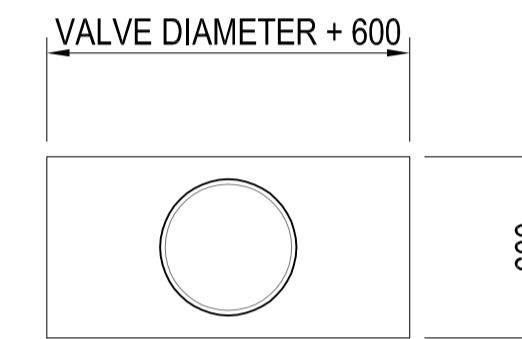
DO NOT SCALE



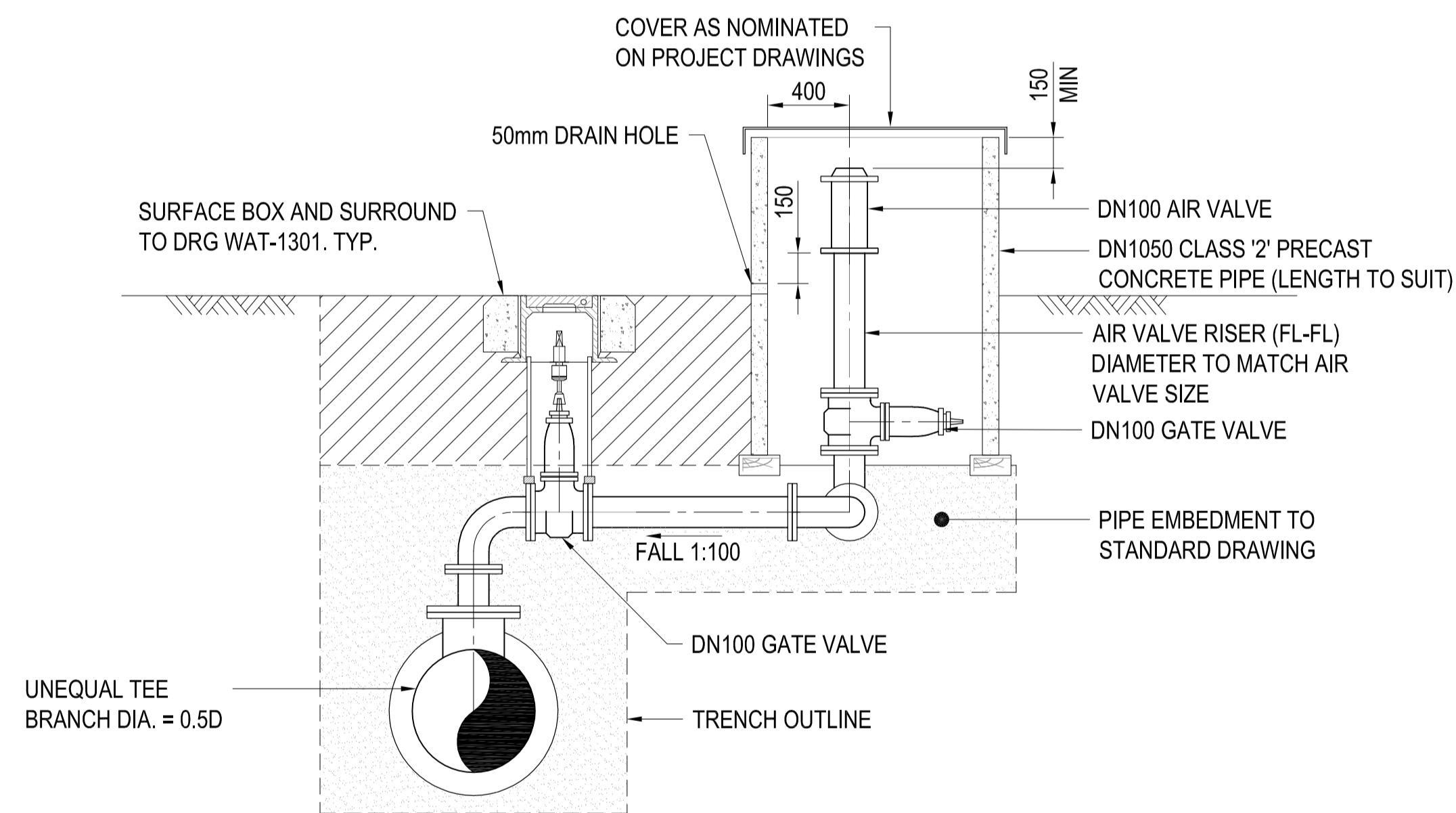
PLAN VIEW
TEE TO LINE VALVE AND OFFTAKE
SCALE 1:25

VALVE SUPPORT NOTES:

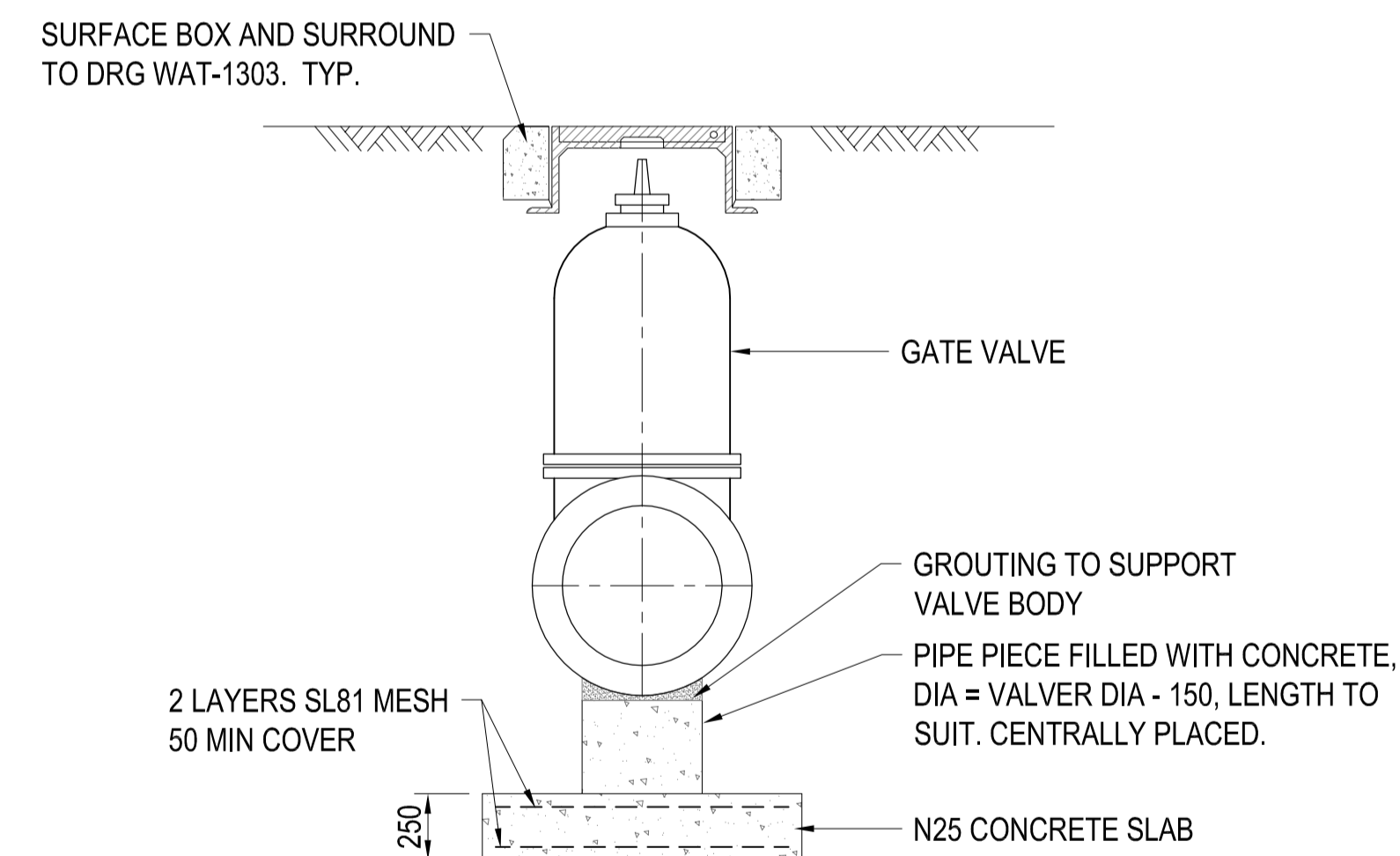
1. VALVE SUPPORTS ONLY NECESSARY FOR VALVES ≥ DN450.
2. SET OUT THE POSITION OF VALVE AND CONSTRUCT CONCRETE SLAB. ALLOW TO SET FOR MINIMUM OF TWO (2) DAYS.
3. SECURE THE VALVE IN FINAL POSITION REQUIRED, SUPPORTING WEIGHT BY BLOCKING OR OTHER MEANS, LEAVING AREA IMMEDIATELY UNDER VALVE BODY BASE CLEAR. SET PIPE IN PLACE AND FILL WITH CONCRETE. GROUT BETWEEN UNDERSIDE OF VALVE AND TOP OF CONCRETE IN PIPE PIECES.
4. ALLOW CONCRETE AND GROUT TO SET FOR TWO (2) DAYS MINIMUM BEFORE TRANSFERRING WEIGHT OF VALVE FROM BLOCK TO SUPPORT.
5. INSULATE FLANGES IN ACCORDANCE WITH STANDARD DRG WAT-1313.



PLAN VIEW
VALVE SUPPORT SLAB
SCALE 1:25

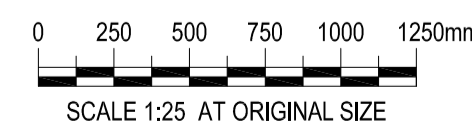


A SECTION
SCALE 1:25



B SECTION
SCALE 1:25

STANDARD DRAWING



BARWON WATER - STANDARD DRAWING
WATER SUPPLY
LINE GATE VALVE INSTALLATION WITH AIR VALVE

REFERENCES	
DRAWING	TITLE

REVISIONS							
No.	REVISION DESCRIPTION	OPS	OPS DATE	DRAWN	CHECKED	APPROVED	DATE
0	ISSUED FOR USE (FROM BWA-SD-W025)	-	-	-	-	PT*	11.09.14

--	--	--	--	--	--	--	--

DRG No. BW-SD-W025	DRAWING DISCIPLINE: CIVIL AND SURVEY SHEET NO. 1 of 1
---------------------------	--

DRAWN L. BERON 13.09.10	DESIGNED M.WOODS 10.09.10	APPROVED P.THOMAS* 11.09.14	SCALES: PLAN 1:25 SECTION 1:25 HORIZ. 1:25 VERT. 1:25 Scale for A1 sheet
-------------------------------	---------------------------------	-----------------------------------	---